

DIN TYPE RESERVOIRS

STYLE 2

The Style 2 Series DIN type steel reservoir is constructed with a recessed welded top and clean-out access on each end. The reservoir has an elevated bottom sloped toward front with bottom exit drain port. Each reservoir is supplied with a sight gage, filler breather and access covers.

Standard Features:

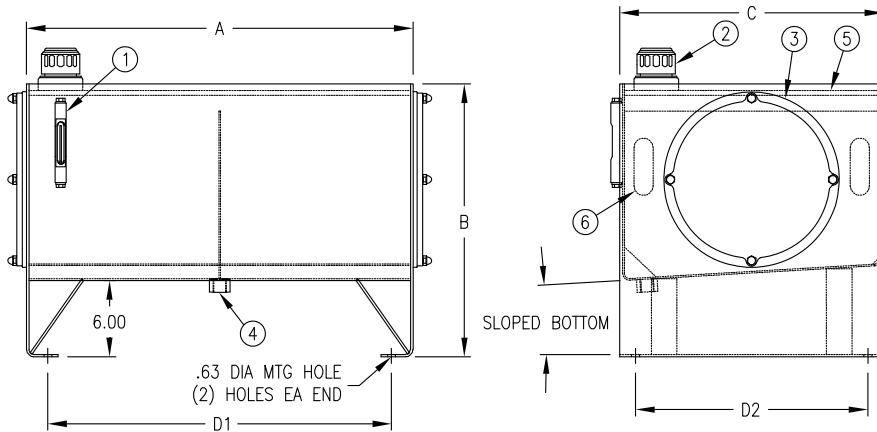
- (1) 5 inch G1620 Series sight gage on capacities of less than 100 gallons; (1) 10 inch G1615 Series sight gage on 100 gallon capacities and above
- Riser with filler breather
 - Bayonet Style — 40 micron
- DIN type access cover, gasket and mounting hardware
- SAE O-ring drain with plug
- Recessed top (drip tray)
- Baffle with cutouts for circulation
- Exterior of reservoir prime painted
- Interior of reservoir coated with rust preventative oil

NOTE

- Drain plugs need to be sealed and tightened before use
- Sight Gage and Filler Breather shipped loose inside reservoir
- Industry accepted design practice for hydraulic systems limits maximum operating temperature to 180° F (82° C), but materials used for fabrication of the reservoirs are capable of operating between -40° and 250° F (-40° and 121° C)

CAUTION:

• Reservoirs are not designed for internal positive or negative pressure applications. For these applications, consult the factory.



NOTE: All dimensions are inches

Tank Dimensions (inches)											
Capacity		Part No.	Sight Gage (Mtg. Ctrs.)	A Length	B Height	C Width	Mounting Centers		Access Cover	Piece Weight (lbs)	
Gallons	Liters						D1	D2			
599XXX SERIES ARE HEAVY DUTY RESERVOIRS											
20	76	V59920	5	24.38	21.00	18.00	21.75	15.50	324	141	
30	114	V59930	5	30.38	21.44	20.75	27.00	18.25	324	185	
40	151	V59940	5	36.38	22.75	20.75	33.00	18.25	324	248	
60	227	V59960	5	42.38	24.25	24.00	39.00	21.50	324	321	
80	303	V59980	5	42.38	25.38	30.00	39.00	27.50	324	398	
100	379	V599100	10	42.38	29.25	30.00	39.00	27.50	449	430	
120	454	V599120	10	48.50	30.25	30.00	45.00	27.50	449	584	
150	568	V599150	10	60.50	30.25	30.00	57.00	27.50	449	695	
200	757	V599200	10	72.75	29.81	36.00	69.00	33.50	449	1029	
300	1136	V599300	10	72.75	38.69	36.00	69.00	33.50	449	1213	
400	1514	V599400	10	84.75	43.19	36.00	80.75	33.50	449	1575	
500	1892	V599500	10	84.75	44.75	42.00	80.75	39.50	449	1798	

Dimensions and specifications are subject to change without notice. Not all items are Made-To-Stock, contact us for availability.

05/14

Ph : 920-682-6877
Fx : 920-684-7210



sales@ldi-industries.com
www.ldi-industries.com