

JIC TYPE RESERVOIRS

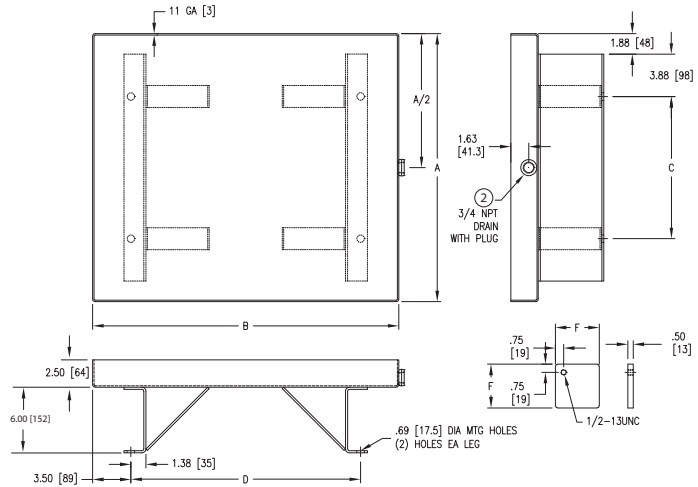
CONTAINMENT STAND

Containment stands with integral containment tray are an optional accessory to JIC type reservoirs to contain minor leaks or weepage from system components during normal operation. The stand feature provides for more convenient movement and placement of the system within the work place once assembled. Proper containment of fluids escaping from the system may help to limit contamination of the nearby environment and provide safer working conditions in areas otherwise negatively affected when exposed to the escaping fluid. Reservoirs are sold separately.

Standard Features:

1. Mate with JIC type reservoirs ranging in size from 10 to 500 gallons
2. (1) 3/4 inch NPT drain port with plug
3. Foot mounting pads (shipped loose)
4. Prime painted LDI gray
5. Material:
 - Carbon steel construction

- NOTE**
- Drain plugs need to be sealed and tightened before use
 - See page 16 for reservoir/containment stand assembly
 - Part numbers are for 6 inch high containment stands.
 - For 12 inch high containment stands, substitute -12 in part number - example: **DSA-10-12**



NOTE: All dimensions are inches [mm]

| Reservoir Capacity (gal) | Part No. | Stand Dimensions (inches) | | | | Reservoir Type | | | | Piece Weight (lbs) | |
|--------------------------|------------|---------------------------|-------|-------|-------|----------------|---------|----------|----------|--------------------|---------|
| | | A | B | C | D | Style A | Style B | Style RB | Style RT | 6 inch | 12 inch |
| | | | | | | | | | | | |
| 10 | DSA-10-6 | 24.50 | 28.00 | 13.00 | 21.00 | • | | • | • | 72 | 91 |
| 15 | DSA-15-6 | 24.50 | 32.00 | 13.00 | 25.00 | • | | • | | 72 | 91 |
| 20 | DSA-20-6 | 24.50 | 36.00 | 13.00 | 29.00 | • | | | • | 80 | 99 |
| 20 | DSB-20-6 | 27.50 | 38.00 | 16.00 | 31.00 | | • | • | | 91 | 113 |
| 30 | DSA-30-6 | 30.50 | 42.00 | 19.00 | 35.00 | • | | | • | 104 | 127 |
| 35 | DSA-30-6 | 30.50 | 42.00 | 19.00 | 35.00 | | | | • | 104 | 127 |
| 40 | DSA-30-6 | 30.50 | 42.00 | 19.00 | 35.00 | • | | | • | 104 | 127 |
| 50 | DSA-30-6 | 30.50 | 42.00 | 19.00 | 35.00 | • | | | • | 104 | 127 |
| 60 | DSA-60-6 | 33.50 | 54.00 | 22.00 | 47.00 | • | | | | 130 | 155 |
| 60 | DSB-60-6 | 31.50 | 44.00 | 20.00 | 37.00 | | • | • | | 110 | 135 |
| 70 | DSA-60-6 | 33.50 | 54.00 | 22.00 | 47.00 | | | | • | 130 | 155 |
| 80 | DSA-80-6 | 33.50 | 66.00 | 22.00 | 59.00 | • | | | | 144 | 180 |
| 80 | DSB-80-6 | 36.50 | 53.00 | 25.00 | 46.00 | | • | • | | 138 | 171 |
| 90 | DSA-80-6 | 33.50 | 66.00 | 22.00 | 59.00 | | | | • | 148 | 184 |
| 100 | DSA-80-6 | 33.50 | 66.00 | 22.00 | 59.00 | • | | | | 148 | 184 |
| 100 | DSB-80-6 | 36.50 | 53.00 | 25.00 | 46.00 | | • | • | | 142 | 181 |
| 120 | DSA-120-6 | 36.50 | 66.00 | 25.00 | 59.00 | • | • | • | | 161 | 190 |
| 130 | DSA-120-6 | 36.50 | 66.00 | 25.00 | 59.00 | | | | • | 161 | 190 |
| 150 | DSA-120-6 | 36.50 | 66.00 | 25.00 | 59.00 | • | • | • | | 160 | 189 |
| 160 | DSA-120-6 | 36.50 | 66.00 | 25.00 | 59.00 | | | | • | 160 | 189 |
| 200 | DSA-200-6 | 42.50 | 78.00 | 31.00 | 71.00 | • | • | • | | 205 | 238 |
| 210 | DSA-200-6 | 42.50 | 78.00 | 31.00 | 71.00 | | | | • | 205 | 238 |
| 250 | DSA-200-6 | 42.50 | 78.00 | 31.00 | 71.00 | | • | | | 205 | 238 |
| 300 | DSA-200-6 | 42.50 | 78.00 | 31.00 | 71.00 | • | | | | 205 | 238 |
| 300 | *DSB-300-6 | 54.50 | 88.00 | 43.00 | 81.00 | | • | • | | 278 | 314 |
| 400 | *DSA-400-6 | 54.50 | 78.00 | 43.00 | 71.00 | • | | | | 256 | 298 |
| 500 | *DSA-400-6 | 54.50 | 78.00 | 43.00 | 71.00 | • | | | | 256 | 298 |

* 5 inch foot mounting pads for these part numbers.

FOOT MOUNTING PADS

F= 4 inches unless otherwise noted in chart



Note: For reservoir sizes not listed or custom sizes - consult factory

Dimensions and specifications are subject to change without notice. Not all items are Made-To-Stock, contact us for availability.

08/15

Ph : 920-682-6877
Fx : 920-684-7210



sales@ldi-industries.com
www.ldi-industries.com