



# Tri•Star Regulators

**R35**

## SPECIFICATIONS

- Body**
- Black coated aluminum
- Bonnet**
- Glass filled nylon
- Seals**
- Buna N Elastomer standard
- Seat**
- Brass

## KITS

### Repair Kits

- Diaphragm kit relieving . . . . . DK35
- Diaphragm kit Non-relieving . . . . . DK35N
- Valve kit . . . . . VK35

### Mounting Kits see page 65

- Bracket kit . . . . . RBK5
- Panel mounting kit ring only panel hole size 1<sup>3</sup>/<sub>16</sub>" . . . . . PKR35
- Panel mount bracket and ring . . . . . PMKR35

## FEATURES

- Micro finished brass seat to ensure no reduced pressure creep
- Reinforce diaphragm for repeated accuracy
- Minimal pressure droop due to efficient aspiration
- Three position non-rising adjustment knob; push to lock, pull to adjust, detach to make tamper resistant
- Relieving style standard
- In-line or modular installation
- Easily panel mounted
- Tamper-proof cap included
- High scfm flow due to efficient aspiration

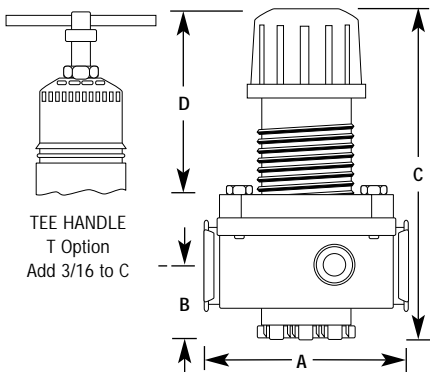
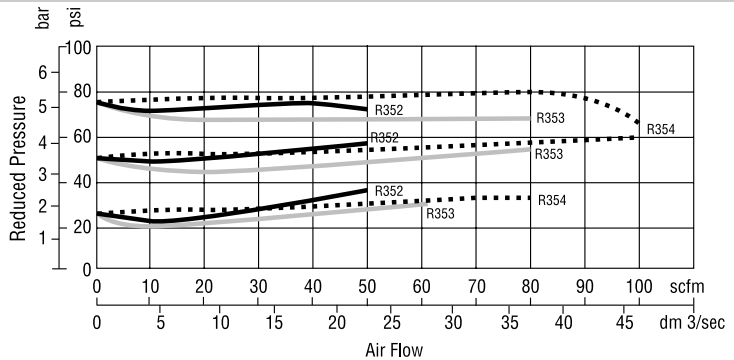
## OPTIONS

add suffix to part number in alpha order

- G** Gauge (0-160 psi) . . . . . R354G
- H** High pressure . . . . . R354H  
10 to 250 psi adjustment
- I** Instrument pressure . . . . . R354I  
3 to 20 psi adjustment
- L** Low pressure . . . . . R354L  
3 to 60 psi adjustment
- N** Non-relieving . . . . . R354N
- P** Panel mount . . . . . R354P
- T** Tee handle adjustment . . . . . R354T

- Supply Pressure**
- 250 psig
- Operating Pressure Range**
- 5 to 125 psig
- Operating Temperature Range**
- 40°F to 120°
- Gauge Port**
- 1/4" full flow

## PERFORMANCE CHARACTERISTICS



## DIMENSIONS

PIPE SIZE	MODEL NO.	MAX. FLOW SCFM	DIMENSIONS (INCHES)				WEIGHT (LBS.)	
			A	B	C	E (WIDTH)		
1/4"	R352	50	2 <sup>21</sup> / <sub>32</sub>	1 <sup>7</sup> / <sub>32</sub>	5 <sup>3</sup> / <sub>8</sub>	2 <sup>3</sup> / <sub>4</sub>	2 <sup>1</sup> / <sub>4</sub>	1.0
3/8"	R353	80	2 <sup>21</sup> / <sub>32</sub>	1 <sup>7</sup> / <sub>32</sub>	5 <sup>3</sup> / <sub>8</sub>	2 <sup>3</sup> / <sub>4</sub>	2 <sup>1</sup> / <sub>4</sub>	1.0
1/2"	R354	100	2 <sup>21</sup> / <sub>32</sub>	1 <sup>7</sup> / <sub>32</sub>	5 <sup>3</sup> / <sub>8</sub>	2 <sup>3</sup> / <sub>4</sub>	2 <sup>1</sup> / <sub>4</sub>	1.0