

Tri•Star Coalescing Filters



SPECIFICATIONS

Body Black coated aluminum

Baffle plastic

Seals Buna N

Metal Bowl

- Zinc, black coated
- Max. pressure 250 psig
- Operating temperature range 40°F to 200°F

Metal Bowl with Sight nickel plated zinc

- Zinc, black coated
- Max. pressure 250 psig
- Operating temperature range 40°F to 160°F

Internal Float Drain

plastic, metal, brass, Buna N seal
 Note: limits bowl temperature and pressure rating

- Operating pressure range 30 to 175 psig
- Operating temperature range 40°F to 120°F

Elements

- .03 micron borosilicate glass fiber
 D.O.P. Efficiency: 99.97%, Particle size removal, Remaining oil content by wt.: .015 PPM

- .01 micron borosilicate glass fiber
 D.O.P. Efficiency: 99.999%, Particle size removal, Remaining oil content by wt.: .0005 PPM

KITS

- Internal float drain kit 5200

Bowl Kits

- Metal without sight BKF45M
- Metal with sight BKF45W

Element Kits

- .03 micron 2-pack. EK55
 Clear net no color
- .01 micron 2-pack. EK55A
 Red net or dot

Repair Kits

- Repair kit RKF45
- Replacement sight kit WK35
- Indicator Pop-up kit DPK-05

Mounting Kit see page 65

- Mounting kit FBK3

FEATURES

- .03 micron fiber element
- Pop-up indicator indicates abnormal condition such as plugged element or excessive flow. Critical protection requires changing element at regular intervals.
- Low pressure drop
- 6 oz. black coated metal bowl with liquid level sight
- Black coated aluminum housing
- Manual drain
- In line or modular installation

OPTIONS

add suffix to part number in alpha order

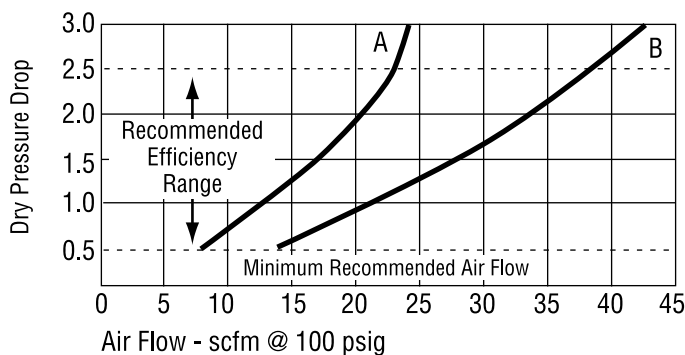
A .01 micron element F552AW

Float Drain

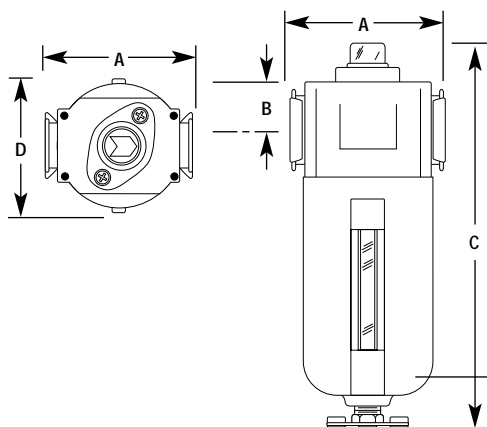
F Internal float drain F552FW

For Metal Bowl without sight delete W

PERFORMANCE CHARACTERISTICS



A. F552
 B. F553
 F554



DIMENSIONS

PIPE SIZE	MODEL NO.	MAX. FLOW SCFM*	BOWL CAPACITY	DIMENSIONS (INCHES)				WEIGHT (LBS.)
				A	B	C	D	
1/4"	F552W	24	6 oz.	2 ³ / ₄	3/4	7 ⁵ / ₈	2 ¹ / ₂	1.7
3/8"	F553W	37	6 oz.	2 ³ / ₄	3/4	7 ⁵ / ₈	2 ¹ / ₂	1.7
1/2"	F554W	37	6 oz.	2 ³ / ₄	3/4	7 ⁵ / ₈	2 ¹ / ₂	1.7

* Flow scfm based on 2.5 psi Δ p @ 100 psig inlet.