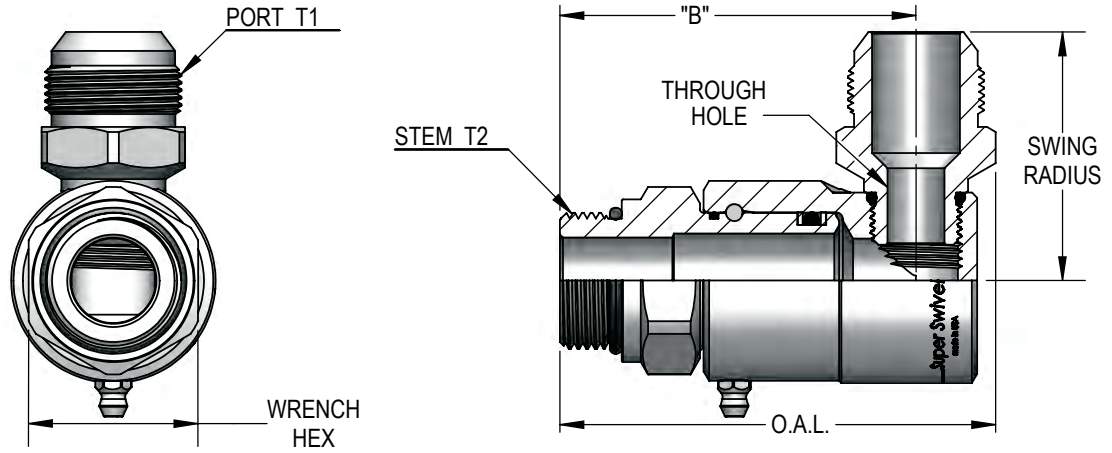


Male O-Ring (O.R.B.) X Male J.I.C. (37°)



Not Available
In Stainless Steel!

PART NUMBER	O.A.L.	DIM. B	WRENCH/HEX	PORT T1	STEM T2	SWG. RADIUS	MAX. P.S.I.G.	THROUGH HOLE
9 SS 4 MO 4 X MJ 4	2.727	2.215	0.625	7/16-20 U.N.	7/16-20 U.N.	1.454	3500	0.172
9 SS 4 MO 6 X MJ 6	2.727	2.215	0.750	9/16-18 U.N.	9/16-18 U.N.	1.454	3500	0.250
9 SS 8 MO 8 X MJ 8	2.923	2.376	1.000	3/4-16 U.N.	3/4-16 U.N.	1.712	3500	0.297
9 SS 8 MO 10 X MJ 10	3.075	2.498	1.000	7/8-14 U.N.	7/8-14 U.N.	1.978	3500	0.297
9 SS 12 MO 12 X MJ 12	3.398	2.749	1.375	1 1/16-12 U.N.	1 1/16-12 U.N.	2.288	3500	0.385
9 SS 16 MO 16 X MJ 16	4.204	3.411	1.625	1 5/16-12 U.N.	1 5/16-12 U.N.	2.384	3500	0.550
9 SS 20 MO 20 X MJ 20	4.765	3.755	1.875	1 5/8-12 U.N.	1 5/8-12 U.N.	2.970	3500	0.827
9 SS 24 MO 24 X MJ 24	5.670	4.540	2.125	1 7/8-12 U.N.	1 7/8-12 U.N.	3.097	3500	0.944