

Series VSC and VSO Quick Exhaust Valves

Cv = .05 - 4.73

Quick exhaust valves VSC, VSO
Ports M5 (10-32 UNF), 1/8", 1/4",
3/8", 1/2", NPTF
cartridge ø 4 mm (5/32" O.D.) (VSO only)



TECHNICAL SPECIFICATIONS

Construction	Poppet type
Mounting	In-line
Materials	Nickel-plated brass body, Buna-N seals, Polyurethane seals
Port sizes	M5 (10-32 UNF), 1/8", 1/4", 3/8", 1/2" NPTF; 5/32" O.D. cartridge
Installation	In-line
Operating temperature	32°F - 175°F, (dry air necessary down to -4° F)
Fluid	Filtered air (25 micron or less)
Lubricant	Oil compatible with Buna-N, (3° - 10° E) (ISOVG32 grade)

PNEUMATIC DATA

Operating pressure	0.3 - 10 bar, (5 - 145 psi)
Nominal pressure	6 bar (87 psi)
Nominal flow	
	Series VSC: P → A, 1/8" = 650 NL/min. (22.9 SCFM) 1/4" = 1100 NL/min. (38.8 SCFM)
	3/8" = 4500 NL/min. (158.9 SCFM) 1/2" = 4500 NL/min. (158.9 SCFM)
	A → R, 1/8" = 1000 NL/min. (35.3 SCFM) 1/4" = 1900 NL/min. (67.1 SCFM)
	3/8" = 6300 NL/min. (222.5 SCFM) 1/2" = 6300 NL/min. (222.5 SCFM)
	Series VSO: P → A, 5/32" O.D. = 30 NL/min. (1.06 SCFM)
Lubricant	A → R, 5/32" O.D. = 80 NL/min. (2.82 SCFM)
Cv	See Table

*Qn flowrate (SCFM) determined with a supply pressure of 6 bar, (87 psi), and with a pressure drop of 1 bar, (14.5 psi).

** Soft-seal repair kits are available for Series VSC Quick-exhaust valves.

***Dimensions are in millimeters.

Quick exhaust valves Series VSO (connections are all 5/32" OD)

Quick exhaust valves are commonly used to increase the speed of cylinders or for rapid depressurisation of tanks containing compressed air. The models **VSO 425-M5** and **VSO 426-04** are specially designed for mounting on solenoid valves and valves incorporating a 5/32" O.D. port. We recommend that a silencer be mounted on the outlet (2931-M5).

Materials used:

- OT58 (brass) body, Nickel Plated
- Buna-N seals

Nominal flowrate

from P A Qn* 50 NL/min. (1.76 SCFM)

from A R Qn* 100 NL/min. (3.53 SCFM)

Qn* = determined with 6 bar (87 psi) and DP = 1 bar (14.5 psi)

Minimum operating pressure = 1 bar (14.5 psi)

Cv Rating

from P A: Cv = 0.05

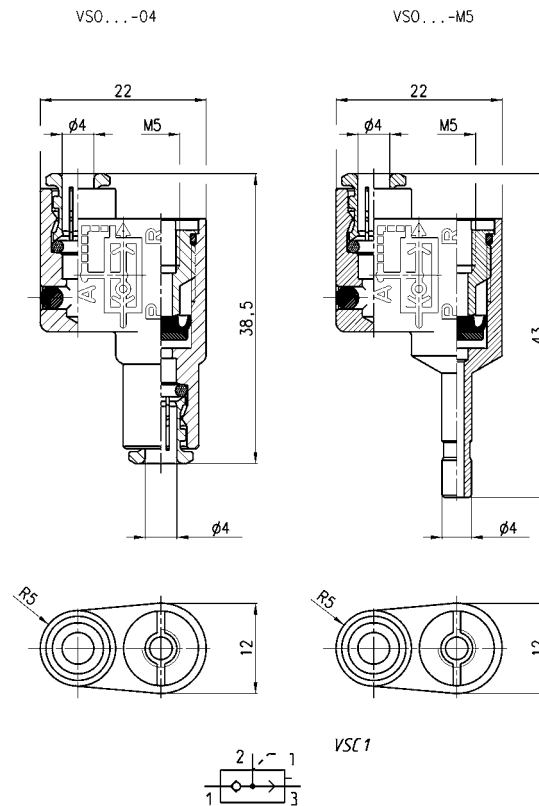
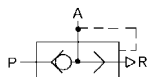
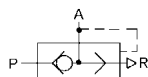
from A R: Cv = 0.1



VSO 425-M5



VSO 426-04



Mod.	
VSO 425-M5	
Mod.	
VSO 426-04	

Quick exhaust valves Series VSC

Quick exhaust valves are commonly used to increase the speed of cylinders or for rapid depressurisation of tanks containing compressed air. We recommend that a silencer be mounted on the outlet.

Materials used:

- OT58 (brass) body, Nickel Plated
- Desmopan seal (polyurethane)

VSC 588-02 Qn = P A 650 NL/min Qn = A R 1000 NL/min

Minimum operating pressure = 0,5 bar

VSC 544-04 Qn = P A 1100 NL/min Qn = A R 1900 NL/min

Minimum operating pressure = 0,3 bar

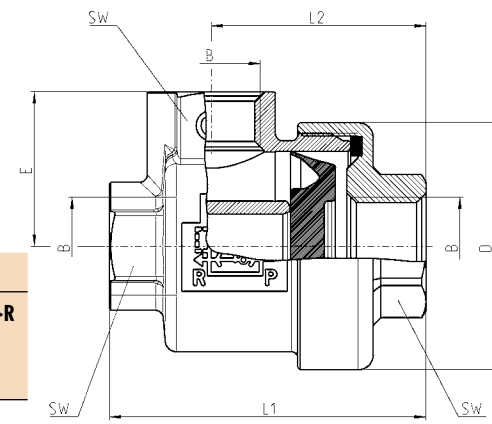
VSC 538-06 Qn = P A 4500 NL/min Qn = A R 6300 NL/min

Minimum operating pressure = 0,2 bar

VSC 522-08 Qn = P A 4500 NL/min Qn = A R 6300 NL/min

Minimum operating pressure = 0,2 bar

* Qn = determined with 6 bar and DP = 1 bar



Mod.	DIMENSIONS (in inches)						Flow (Qn)			
	B NPTF	D	E	L1	L2	SW	Inlet P→A SCFM	Cv	Exhausting A→R SCFM	Cv
VSC 588-02	1/8"	1.102	0.689	1.437	.984	.551	22.9	0.68	35.3	1.05
VSC 544-04	1/4"	1.299	0.807	1.653	1.122	.669	38.8	1.16	67.1	2.00
VSC 538-06	3/8"	1.692	1.063	2.263	1.555	.944	158.9	4.73	222.5	6.62
VSC 522-08	1/2"	1.692	1.063	2.302	1.555	.944	158.9	4.73	222.5	6.62