

Lubricators Series MX

Ports 3/8" - 1" NPTF

MX2 ports: 3/8", 1/2", 3/4" NPTF - MX3 ports: 3/4", 1" NPTF

Innovative modular clamping system

Quick-Release, locking bayonet bowls

Series MX3 is the latest air treatment system offered by Camozzi. This modular design is characterized by a modern, compact design, and high performance. The integration between metal alloys and technopolymers has allowed the realization of a reliable product, both light and strong at the same time. The unique and patented modular clamping system simplifies the mounting of components.

The Series MX appeals to a broad spectrum of markets and applications because of the savings realized in installation time, space requirements and total cost.

A special configurator, available on Camozzi's global website at <http://catalogue.camozzi.com> (sec. Configurators), allows the customer to choose the most suitable solution for his application, selecting single components or by configuring assembled FRLs.



- » Oil adjustment screw in head cap
- » Ability to refill the oil even with system under pressure
- » High flow
- » Oil level visible through transparent slots in bowl shroud
- » Bowl locking mechanism
- » Enhanced safety features

GENERAL DATA

Construction	modular, compact
Materials	see TABLE OF MATERIALS
Ports	3/4" - 1" NPTF
Oil capacity	MX3: 170 cc (5.75 oz), MX2: 118 cc (4.0 oz.)
Oil refilling	while under system pressure allowed by means of cap screw in head, or directly into bowl without pressure
Mounting	vertical in-line wall-mounting (by means of clamps)
Operating temperature	-5°C - 50°C at 16 bar (with Dew Point of air at least 2° C (4° F) below the min working temperature), (23 F - 122 F @ 232 psi, up to 140 F MAX at 145 psi) -5°C - 60°C at 10 bar (with Dew Point of air at least 2° C (4° F) below the min working temperature)
Oil for lubrication	3°E - 10°E , Engler (approx 32 centistokes) recommendation 1 - 5 drops every 1000 NI of air consumed (35 SCFM) (10 drops = 1cm3 = .061 in3 = 1 mL)
Droplet Size	> 2 microns
Operating pressure	0 - 16 bar (0 - 232 psi)
Min. air consumption for lubrication at 1 bar	50 NI/min (1.75 SCFM)
Min. air consumption for lubrication at 6 bar	95 NI/min (3.3 SCFM)
Nominal flow	see FLOW DIAGRAMS

CODING EXAMPLE

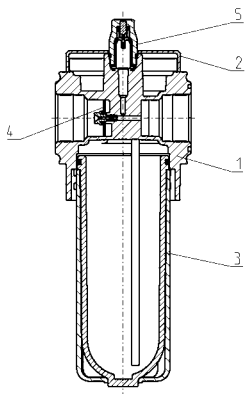
MX	2	-	3/8	-	L	00	TF
----	---	---	-----	---	---	----	----

MX	SERIES
2	SIZE: 2 = 3/8" - 1/2" - 3/4" 3 = 3/4" - 1"
3/8	PORT: 1/2 = 1/2 3/4 = 3/4 1 = 1
L	LUBRICATOR
00	DESIGN TYPE: 00 = atomized oil 01 = optional, low-flow orifice for low air consumption requiring lubrication (3/8" & 1/2" ONLY)
TF	TF = NPTF ports blank = BSP ports

For the assembly of a single component with fixing flanges or wall-mounting, see the section "FRL Series MX Assembled"

MODULAR FRL SERIES MX

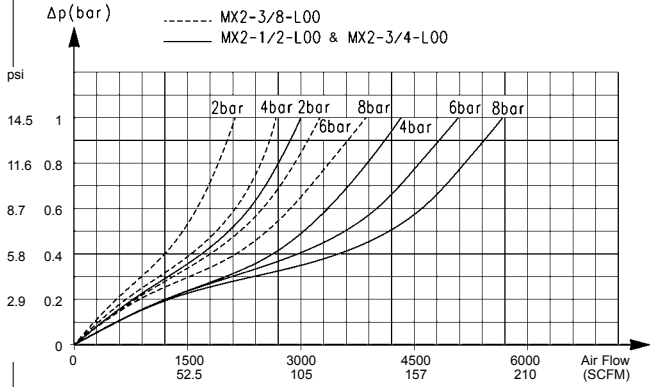
Lubricators Series MX - materials



PARTS	MATERIALS
1 = Body	Aluminium
2 = Covering	Polyacetal
3 = Bowl with technopolymer cover	Polycarbonate/Polyamide
4 = Diaphragm	NBR
5 = Viewer	Polyamide
Seals	NBR

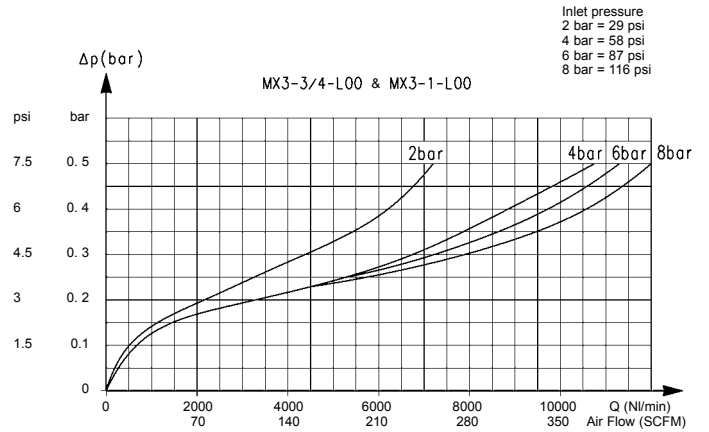
FLOW DIAGRAMS, MX2 & MX3

MX2 flow curves



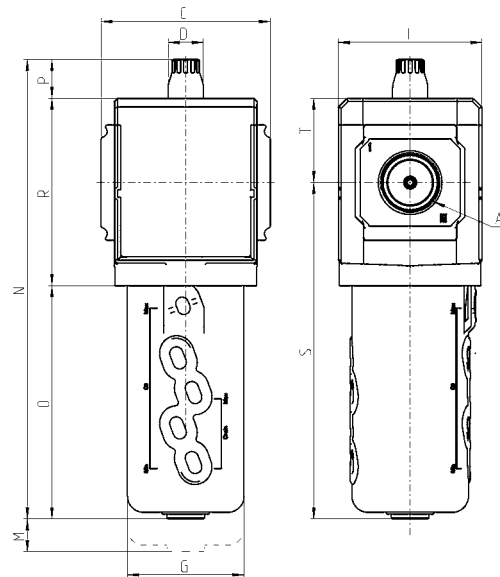
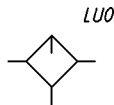
Δp = Pressure drop
Q = Flow

MX3 flow curves



ΔP = Pressure drop
Q = Flow

Lubricators Series MX - dimensions



DIMENSIONS (in inches)

Mod.	A	C	D	G	I	M	N	O	P	R	S	T	Weight (Kg)
MX2-3/8-L00TF	3/8	2.756	0.728	2.185	2.677	3.327	8.268	4.114	0.807	3.346	5.984	1.476	0.5
MX2-1/2-L00TF	1/2	2.756	0.728	2.185	2.677	3.327	8.268	4.114	0.807	3.346	5.984	1.476	0.5
MX2-3/4-L00TF	3/4	2.756	0.728	2.185	2.677	3.327	8.268	4.114	0.807	3.346	5.984	1.476	0.5
MX3-3/4-L00TF	3/4	3.524	0.728	2.421	2.992	3.937	9.567	4.843	0.827	3.898	7.008	1.752	0.8
MX3-1-L00TF	1	3.524	0.728	2.421	2.992	3.937	9.567	4.843	0.827	3.898	7.008	1.752	0.8