

HORIZONTAL RESERVOIRS

HORIZONTAL W/WELDED TOP (SMALL)

The small non-JIC type horizontal steel reservoirs with welded on top have an internal baffle extending from one end with clearance above and on the return side of the reservoir. The reservoirs have a low profile flat bottom with mounting feet outward from the ends. Clean-out access is provided from each end of the reservoir to facilitate cleaning on both sides of the baffle. Each reservoir is supplied with a sight gage, filler breather and access covers.

Standard Features:

- (1) 5 inch GT623 Series sight gage
- Filler breather (no hole provided)
 - Bayonet style 40 micron
- (2) 6 inch access covers
- Baffle with cutout for circulation
- (1) 3/4 inch NPT drain with plug
- Exterior of reservoir prime painted
- Interior of reservoir coated with rust preventative oil

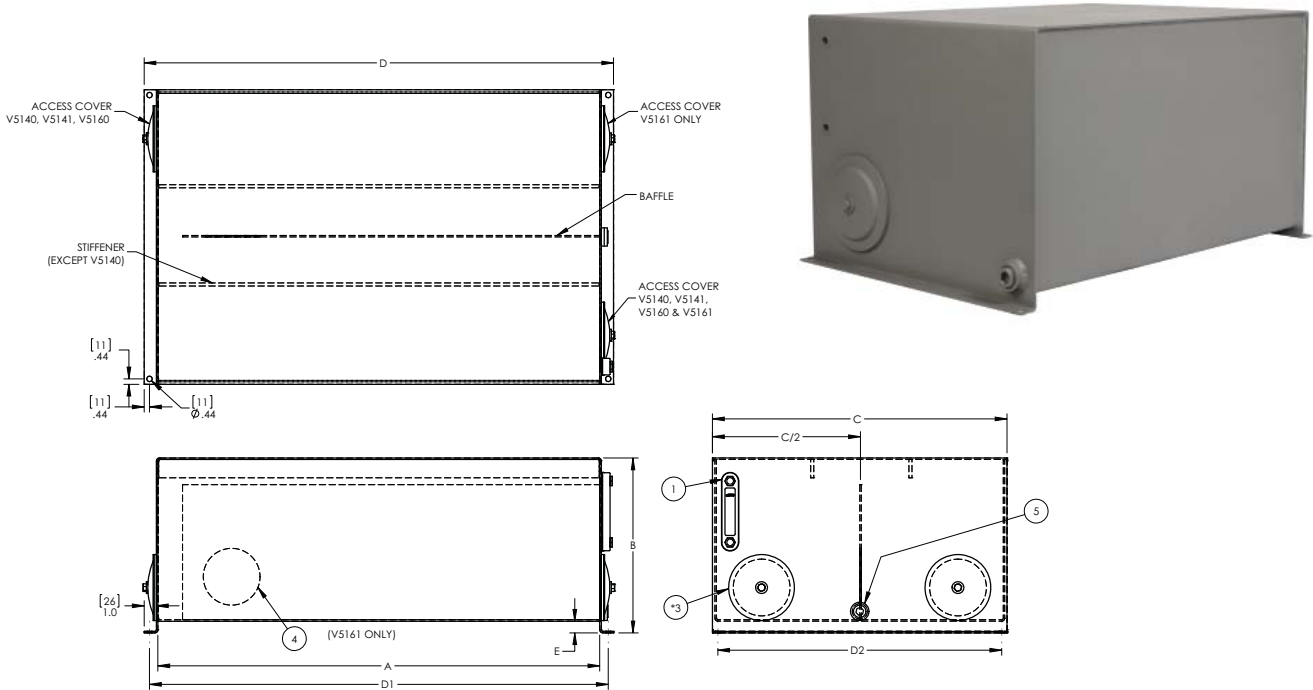
8. Materials

- Carbon steel construction
- Buna N seals
- Transparent molded nylon sight gage with black powder coated steel guard
- Zinc plated fill cap with nylon strainer basket

- NOTE**
- Drain plugs need to be sealed and tightened before use
 - Sight gage and filler breather shipped loose inside reservoir
 - Industry accepted design practice for hydraulic systems limits maximum operating temperature to 180° F (82° C), but materials used for fabrication of the reservoirs are capable of operating between -40° and 212° F (-40° and 100° C)

CAUTION:

- Reservoirs are not designed for internal positive or negative pressure applications. For these applications, consult the factory.



NOTE: All dimensions are inches [mm]

Tank Dimensions (inches)									
Capacity (gal)	Part No.	A	B	C	D	E	Mounting Centers		Piece Weight (lbs)
							D1 ± .12	D2 ± .12	
10	V5140	20.00	12.25	14.00	22.25	.69	21.38	13.12	55
20	V5141	24.00	14.25	18.00	26.25	.82	25.38	17.12	84
30	V5160	36.00	14.25	18.00	38.25	.94	37.38	17.12	114
40	V5161	36.00	14.25	24.00	38.25	.95	37.38	23.12	138

Dimensions and specifications are subject to change without notice. Not all items are Made-To-Stock, contact us for availability.

08/15

Ph : 920-682-6877
Fx : 920-684-7210



sales@ldi-industries.com
www.ldi-industries.com