

# JIC TYPE RESERVOIRS

## STYLE RT

The Style RT Series JIC type reservoir has clean-out access on end(s) of reservoir and designed to accept a removable top. The reservoir has a lengthwise baffle positioned between opposing ends with circulation notch and one return connection. All reservoirs are supplied with a sight gage, access cover(s) and channel gasket. Reservoir tops are sold separately.

### Standard Features:

- (1) 5 inch G1620 Series sight gage
- Access cover(s) with gasket(s)
- Baffle with cutout for circulation
- (1) 3/4 inch NPT drain with plug
- (1) Return connection
- Channel gasket (not shown) for removable top
  - Removable top plates are ordered as separate items (see page 6)
- Exterior of reservoir prime painted
- Interior of reservoir coated with rust preventative oil

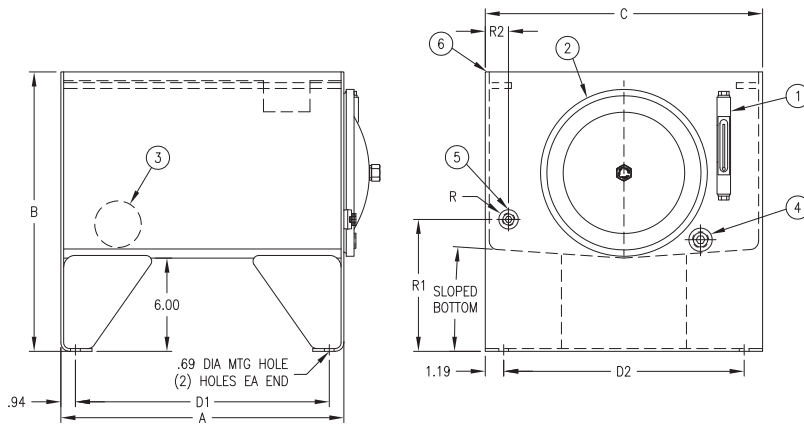
- Materials
  - Carbon steel reservoir
  - Buna N seals
  - Aluminum sight gage

**NOTE**

- Drain plugs need to be sealed and tightened before use
- Sight gage shipped loose inside reservoir
- Industry accepted design practice for hydraulic systems limits maximum operating temperature to 180° F (82° C), but materials used for fabrication of the reservoirs are capable of operating between -40° and 250° F (-40° and 121° C)

### CAUTION:

Reservoirs are not designed for internal positive or negative pressure applications. For these applications, consult the factory.



NOTE: All dimensions are inches

### Clean Out Covers

Capacity (gal)	Diameter (inches)	Number of Covers
10	10.00	
20	10.00	(1) on sight gage end only
35	10.00	
50 to 210	14.00	(2) with one on each end

### Tank Dimensions (inches)

Capacity (gal)	Part No.	A Length	B Height	C Width	Mounting Centers		Return Connections			Piece Weight* (lb)
					D1 ± .12	D2 ± .12	R NPT	R1	R2	
10	V12210	18.25	18.00	17.88	16.38	15.50	1/2	8.50	1.50	90
20	V12220	29.38	18.00	17.88	27.50	15.50	1	8.50	1.50	120
35	V12235	35.38	18.25	23.88	33.50	21.50	1-1/2	9.50	3.00	160
50	V12250	35.38	23.00	23.88	33.50	21.50	1-1/2	9.50	3.00	200
70	V12270	47.38	21.00	26.88	45.50	24.50	1-1/2	9.50	3.00	240
90	V12290	59.38	21.50	26.88	57.50	24.50	2	9.50	3.00	281
130	V122130	59.38	26.00	29.88	57.50	27.50	2	9.50	3.00	345
160	V122160	59.38	31.00	29.88	57.50	27.50	2	9.50	3.00	398
210	V122210	71.38	28.25	35.88	69.00	33.50	2	9.50	3.00	484

\*Note: Above weights do not include covers

Dimensions and specifications are subject to change without notice. Not all items are Made-To-Stock, contact us for availability.

03/18

Ph : 920-682-6877  
Fx : 920-684-7210



sales@ldi-industries.com  
www.ldi-industries.com