

# LUBRICATORS & DISPENSERS

## RDF SERIES STRAIGHT THREAD/REMOTE MOUNT

The RDF Series of drop feed reservoirs feature a vented sight chamber, adjustable metering and toggle shut-off. All reservoirs feature self-closing snap lid filler caps, vented on the vertical plane to minimize the possibility of dust and dirt from entering the reservoir through the vent. Reservoirs can be disassembled for occasional cleaning.

### Standard Materials:

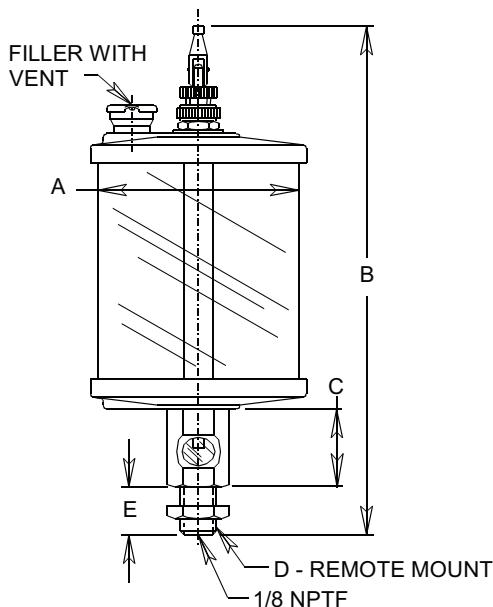
- Aluminum construction
- Buna N seals
- Gage glass sight
- Break resistant, colorless transparent polymer

### Operating Conditions:

- Polymer up to 140°F (60°C)
- Ratings are at atmospheric pressure
- Maximum viscosity 1500 SSU

### NOTE:

- Please refer to Appendix LE-3 on page LE-A3 for Toggle Valve Adjustment Instructions



RDF Series Straight Thread/Remote Mount						
Part No.	Capacity	A inches (mm)	B inches (mm)	C inches (mm)	D Thread UNF	E inches (mm)
<b>RDF102-06</b>	1.00 oz (29.60 mL)	1.50 (38.10)	5.30 (134.62)	1.00 (25.40)	9/16-18	.62 (15.75)
<b>RDF103-06</b>	1.50 oz (44.40 mL)	1.75 (44.45)	5.45 (138.43)	1.00 (25.40)	9/16-18	.62 (15.75)
<b>RDF104-06</b>	2.50 oz (73.90 mL)	2.00 (50.80)	5.74 (145.80)	1.00 (25.40)	9/16-18	.62 (15.75)
<b>RDF105-06</b>	5.00 oz (147.90 mL)	2.50 (63.50)	6.37 (161.80)	1.00 (25.40)	9/16-18	.62 (15.75)
<b>RDF107-08</b>	9.00 oz (266.20 mL)	3.00 (76.20)	7.00 (177.80)	1.38 (35.05)	5/8-18	.88 (22.35)
<b>RDF108-08</b>	12.00 oz (354.90 mL)	3.00 (76.20)	8.38 (212.85)	1.38 (35.05)	5/8-18	.88 (22.35)
<b>RDF109-08</b>	1.00 pt (.47 L)	3.50 (88.90)	8.94 (227.08)	1.38 (35.05)	5/8-18	.88 (22.35)
<b>RDF110-08</b>	1.00 qt (.95 L)	4.25 (107.95)	9.38 (238.25)	1.38 (35.05)	5/8-18	.88 (22.35)
<b>RDF111-08</b>	.50 gal (1.90 L)	5.50 (139.70)	12.19 (309.63)	1.38 (35.05)	5/8-18	.88 (22.35)
<b>RDF112-08</b>	1.00 gal (3.80 L)	5.50 (139.70)	16.31 (414.27)	1.38 (35.05)	5/8-18	.88 (22.35)

**MODIFICATIONS AVAILABLE MADE TO ORDER - CONSULT OUR FACTORY  
(MINIMUM ORDER MAY BE REQUIRED)**

Dimensions and specifications are subject to change without notice. Not all items are Made-To-Stock, contact us for availability.

02/14

Ph : 920-682-6877  
Fx : 920-684-7210



sales@ldi-industries.com  
www.ldi-industries.com