

LUBRICATORS & DISPENSERS

RDF SERIES PIPE THREAD NPTF

The RDF Series of drop feed reservoirs feature a vented sight chamber, adjustable metering and toggle shut-off. All reservoirs feature self-closing snap lid filler caps, vented on the vertical plane to minimize the possibility of dust and dirt from entering the reservoir through the vent. Reservoirs can be disassembled for occasional cleaning.

Standard Materials:

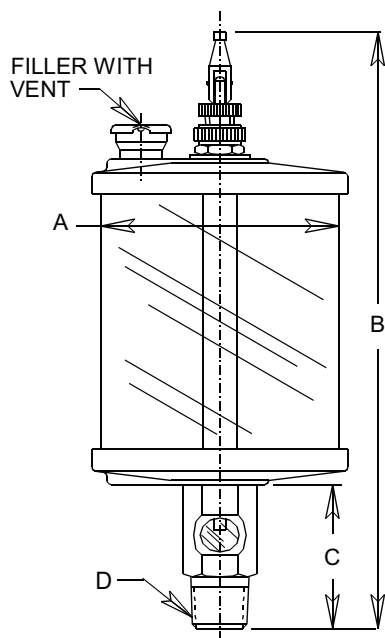
- Aluminum construction
- Buna N seals
- Gage glass sight
- Break resistant, colorless transparent polymer
- Borosilicate glass for fluid compatibility and thermal shock

Operating Conditions

- Polymer up to 140°F (60°C)
- Glass up to 250°F (121°C)
- Ratings are at atmospheric pressure
- Maximum viscosity 1500 SSU

NOTE:

- Please refer to Appendix LE-3 on page LE-A3 for Toggle Valve Adjustment Instructions



RDF Series Pipe Thread NPTF						
Part No.		Capacity	A inches (mm)	B inches (mm)	C inches (mm)	D Thread NPTF
Polymer	Glass					
RDF101-01	RDF101-11	.62 oz. (18.50 mL)	1.50 (38.10)	4.56 (115.82)	1.38 (35.05)	1/8
RDF102-01	—	1.00 oz. (29.60 mL)	1.50 (38.10)	5.00 (127.00)	1.38 (35.05)	1/8
RDF102-02	RDF102-12			5.19 (131.83)	1.56 (39.62)	1/4
RDF103-02	RDF103-12	1.50 oz. (44.40 mL)	1.75 (44.45)	5.38 (136.65)	1.56 (39.62)	1/4
RDF104-01	—	2.50 oz. (73.90 mL)	2.00 (50.80)	5.56 (141.22)	1.38 (35.05)	1/8
RDF104-03	RDF104-13			5.75 (146.05)	1.56 (39.62)	3/8
RDF105-02	—	5.00 oz. (147.90 mL)	2.50 (63.50)	6.38 (162.05)	1.56 (39.62)	1/4
RDF105-03	RDF105-13					3/8
RDF106-01	—	8.00 oz. (236.60 mL)	2.50 (63.50)	7.31 (185.67)	1.38 (35.05)	1/8
RDF107-03	RDF107-13	9.00 oz. (266.20 mL)	3.00 (76.20)	7.62 (193.55)	1.94 (49.28)	3/8
RDF107-04	RDF107-14			7.81 (198.37)	2.12 (53.85)	1/2
RDF108-02	—	12.00 oz. (354.90 mL)	3.00 (76.20)	8.94 (227.08)	1.94 (49.28)	1/4
RDF108-03	—			8.94 (227.08)	1.94 (49.28)	3/8
RDF108-04	—			9.12 (231.65)	2.12 (53.85)	1/2
RDF109-02	—			8.94 (227.08)	1.94 (49.28)	1/4
RDF109-03	RDF109-13	1.00 pt. (.47 L)	3.50 (88.90)	8.94 (227.08)	1.94 (49.28)	3/8
RDF109-04	RDF109-14			9.12 (231.65)	2.12 (53.85)	1/2
RDF110-03	—	1.00 qt. (.95 L)	4.25 (107.95)	9.94 (252.48)	1.94 (49.28)	3/8
RDF110-04	RDF110-14			10.12 (257.05)	2.12 (53.85)	1/2
RDF111-04	RDF111-14	.50 gal. (1.90 L)	5.50 (139.70)	12.06 (306.32)	2.12 (53.85)	1/2
RDF112-04	—	1.00 gal. (3.80 L)	5.50 (139.70)	17.06 (433.32)	2.12 (53.85)	1/2

**MODIFICATIONS AVAILABLE MADE TO ORDER - CONSULT OUR FACTORY
(MINIMUM ORDER MAY BE REQUIRED)**

Dimensions and specifications are subject to change without notice. Not all items are Made-To-Stock, contact us for availability.

04/16

Ph : 920-682-6877
Fx : 920-684-7210



sales@ldi-industries.com
www.ldi-industries.com