

# LUBRICATORS & DISPENSERS

## R100 SERIES

### GRAVITY FEED W/FILTER - NO FLOW CONTROL

The R100 Series of gravity feed reservoirs without flow control are ideal for use as make-up or replenishing reservoirs. They can be installed in most cases to serve both as an oil cup to maintain oil level and as an oil gage to provide 360° visual check of fluid level and condition. All reservoirs feature self-closing snap lid filler caps, vented on the vertical plane to minimize the possibility of dust and dirt from entering the reservoir through the vent. Reservoirs can be disassembled for occasional cleaning.

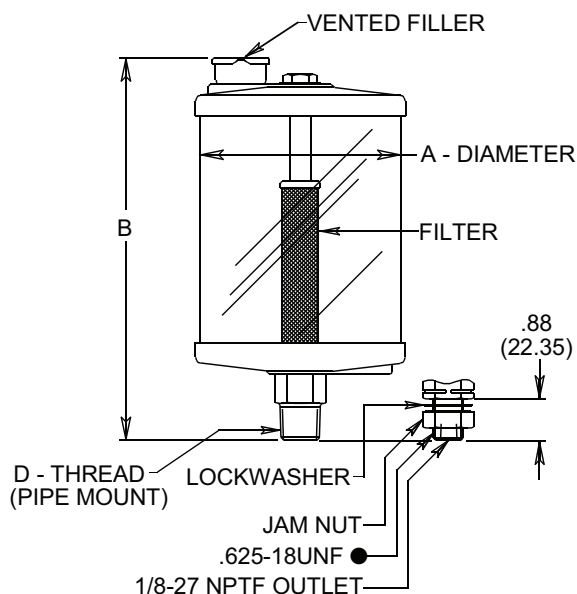
#### Standard Materials:

- Aluminum construction
- Buna N seals
- Break resistant colorless transparent polymer
- 100 Mesh Stainless Steel filter
- Some sizes have a brass shank

#### Temperature and Pressure Ratings:

- Polymer maximum working temperature up to 140°F (60°C)
- Ratings are at atmospheric pressure.

**NOTE:** Pipe or bracket mount styles available



**NOTE:** All dimensions are inches (mm)

- BRACKET MOUNT
- ▼ BRASS SHANK



| R100 Series Gravity Feed w/Filter - No Flow Control |                   |               |                |              |
|---|-------------------|---------------|----------------|--------------|
| Part No.  | Capacity          | A inches (mm) | B inches (mm)  | D Thread     |
| R110-02F  |                   |               | 6.38 (162.05)  | 1/4 NPTF     |
| R110-03F  | 1.00 pt (.47 L)   | 3.50 (88.90)  | 6.44 (163.58)  | 3/8 NPTF     |
| R110-04F  |                   |               | 6.62 (168.15)  | 1/2 NPTF     |
| R110-08F  |                   |               | 6.69 (169.93)  | 5/8-18 UNF ● |
| R111-02F  |                   |               | 7.78 (197.61)  | 1/4 NPTF     |
| R111-03F  | 1.00 qt (.95 L)   | 4.25 (107.95) | 7.84 (199.14)  | 3/8 NPTF     |
| R111-04F  |                   |               | 8.00 (203.20)  | 1/2 NPTF     |
| R111-08F  |                   |               | 8.06 (204.72)  | 5/8-18 UNF ● |
| R112-02F  |                   |               | 9.91 (251.72)  | 1/4 NPTF ▼   |
| R112-03F  | .50 gal (1.90 L)  | 5.50 (139.70) | 9.97 (253.24)  | 3/8 NPTF     |
| R112-04F  |                   |               | 10.12 (257.05) | 1/2 NPTF     |
| R112-08F  |                   |               | 10.19 (258.83) | 5/8-18 UNF ● |
| R113-02F  |                   |               | 14.91 (378.72) | 1/4 NPTF ▼   |
| R113-03F  | 1.00 gal (3.80 L) | 5.50 (139.70) | 14.97 (380.24) | 3/8 NPTF     |
| R113-04F  |                   |               | 15.12 (384.05) | 1/2 NPTF     |
| R113-08F  |                   |               | 15.19 (385.83) | 5/8-18 UNF ● |

Dimensions and specifications are subject to change without notice. Not all items are Made-To-Stock, contact us for availability.

02/14

Ph : 920-682-6877  
Fx : 920-684-7210



sales@ldi-industries.com  
www.ldi-industries.com