

# CHAIN OILERS & APPLICATORS

## NVB SERIES - 45° VALVE WITH FLAT BRUSH

The NVB Series of brushes with metering valves are designed to apply lubricant to chain drives and they can be connected in series to lubricate several points and feed from a central reservoir.

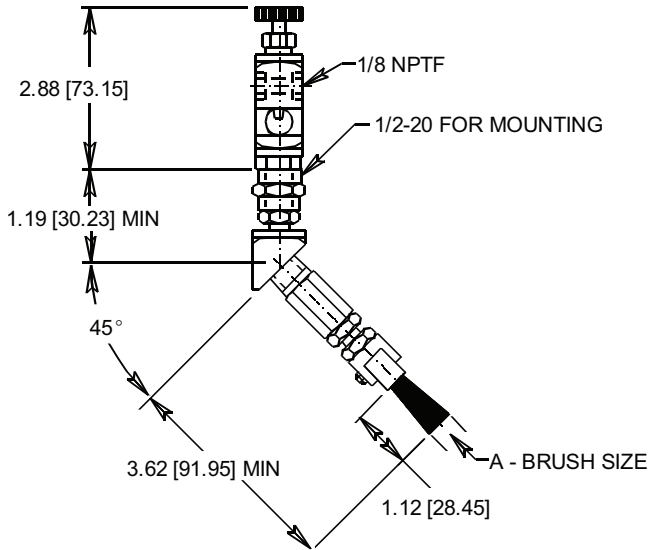
These are for applications where conditions require the lubricant to be applied at an angle. Two sizes of brushes allow selection to fit almost any chain width.

### Standard Materials:

- Aluminum construction body
- Nylon brush
- Pipe threads are dryseal

### Temperature Rating:

- Nylon maximum working temperatures up to 250°F (121°C)

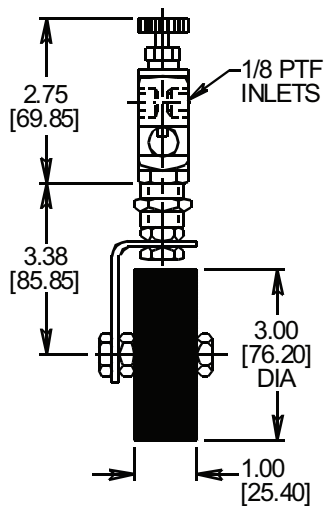


**NOTE:** All dimensions are inches [mm]



45° Valve with Flat Brush	
Part No.	A Brush Size inches (mm)
NVB353-2	1.00 x .38 (25.40 x 9.65)
NVB354-2	1.50 x .38 (38.10 x 9.65)

## NVB SERIES - ROTARY WHEEL VALVE BRUSH



**NOTE:** All dimensions are inches [mm]



Rotary Wheel Valve Brush	
Part No.	
NVB401-2	

Dimensions and specifications are subject to change without notice. Not all items are Made-To-Stock, contact us for availability.

02/14

Ph : 920-682-6877  
Fx : 920-684-7210



sales@ldi-industries.com  
www.ldi-industries.com