

CHAIN OILERS & APPLICATORS

NVB SERIES - STRAIGHT VALVE BRUSH, ROUND OR FLAT

The NVB Series of brushes with metering valves are designed to apply lubricant to chain drives and they can be connected in series to lubricate several points and feed from a central reservoir.

Straight valve with either a round or flat brush can be used to apply lubricant to chain drives traveling in a horizontal or slightly inclined plane. Valve brushes for vertical chains are available. Used with reservoir series **RFF/REF**.

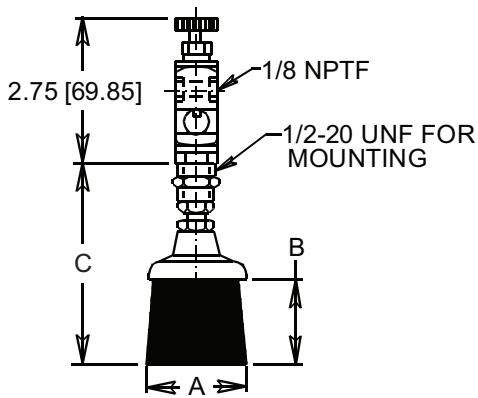
Standard Materials:

- Aluminum construction body
- Nylon brush
- Pipe threads are dryseal

Temperature Rating:

- Nylon maximum working temperatures up to 250°F (121°C)

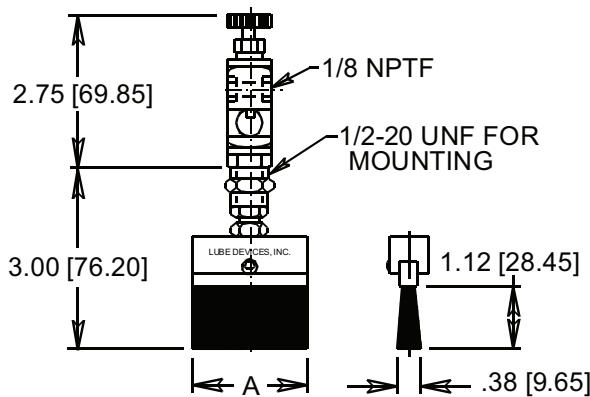
NVB100 SERIES - STRAIGHT VALVE WITH ROUND BRUSH



Straight Valve w/Round Brush				
Part No.	Brush Material	A Dia inches (mm)	B inches (mm)	C inches (mm)
NVB103-2	Nylon	1.00	1.62	3.62
NVB103-3	Stainless Steel	(25.40)	(41.15)	(91.95)

NOTE: All dimensions are inches [mm]

NVB300 SERIES - STRAIGHT VALVE WITH FLAT BRUSH



Straight Valve w/Flat Brush		
Part No.	Brush Material	A inches (mm)
NVB301-2	Nylon	.50 (12.70)
NVB303-2	Nylon	1.00 (25.40)
NVB304-2	Nylon	1.50 (38.10)
NVB304-3	Stainless Steel	(38.10)
NVB305-2	Nylon	2.25 (57.15)
NVB305-3	Stainless Steel	(57.15)

NOTE: All dimensions are inches [mm]

Dimensions and specifications are subject to change without notice. Not all items are Made-To-Stock, contact us for availability.

02/14

Ph : 920-682-6877
Fx : 920-684-7210



sales@ldi-industries.com
www.ldi-industries.com