

FLOW SIGHTS

F560 SERIES

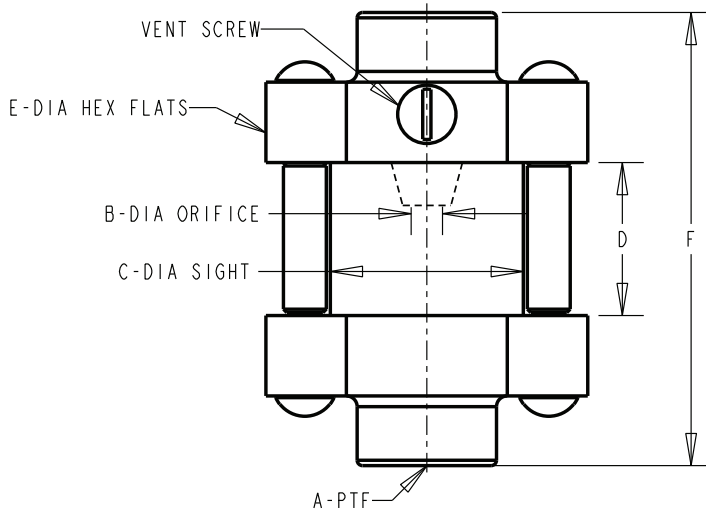
Wide view flow sights with a restrictor orifice and cylindrical sight provide maximum 360° visual observation of fluid flow, color and clarity. Mount on the downstream side of vertical lines on cooling or lubricating systems.

Standard Materials:

- Aluminum construction
- Clear polymer sight
- Buna N seals

Temperature and Pressure Ratings:

- Maximum working temperature up to 140°F (60°C)
- Maximum working pressure of orifice up to 125 PSI (862 kPa)



F560 Series						
Part No.	A Thread	B inches (mm)	C inches (mm)	D inches (mm)	E inches (mm)	F inches (mm)
F561-02	1/4-18	.19 (4.83)	1.12 (28.45)	.88 (22.35)	1.62 (41.15)	2.62 (66.55)
F562-01	1/8-27	.16 (4.06)	1.50 (38.10)	1.19 (30.23)	2.00 (50.80)	3.12 (79.25)
F562-03	3/8-18	.25 (6.35)	1.50 (38.10)	1.19 (30.23)	2.00 (50.80)	3.12 (79.25)
F563-04	1/2-14	.38 (9.65)	2.00 (50.80)	1.69 (42.93)	2.62 (66.55)	4.25 (107.95)
F563-05	3/4-14	.50 (12.70)	2.00 (50.80)	1.69 (42.93)	2.62 (66.55)	4.25 (107.95)
F564-06	1-11 1/2	.62 (15.75)	2.50 (63.50)	2.06 (52.32)	3.00 (76.20)	5.38 (136.65)

Dimensions and specifications are subject to change without notice. Not all items are Made-To-Stock, contact us for availability.

02/14

Ph : 920-682-6877
Fx : 920-684-7210



sales@ldi-industries.com
www.ldi-industries.com