

LUBRICATORS & DISPENSERS

GUN-FIL® LUBRICATOR

The GUN-fil® Lubricator series can be used to replace grease fittings in new or existing applications. They can be mounted in any position horizontally, vertically, or inclined at any angle. Mating thread can be either standard pipe thread (NPT) or dryseal (NPTF) threads. All GUN-fil® Lubricators feature single point, spring loaded grease applicator which feeds each individual bearing only the amount of lubricant required. Economical to use valve or grease flow reducer which feeds only while bearing is in motion, flow of grease ceases when bearing stops. Quick visual refill check-colored stem indicator lowers to show when refill is needed. Lubricator comes standard with straight grease fitting. Optional fittings are available as listed below.

Standard Material:

- Rugged steel construction for maximum service life in harshest of conditions.

Standard Valve Speeds (color indicators):

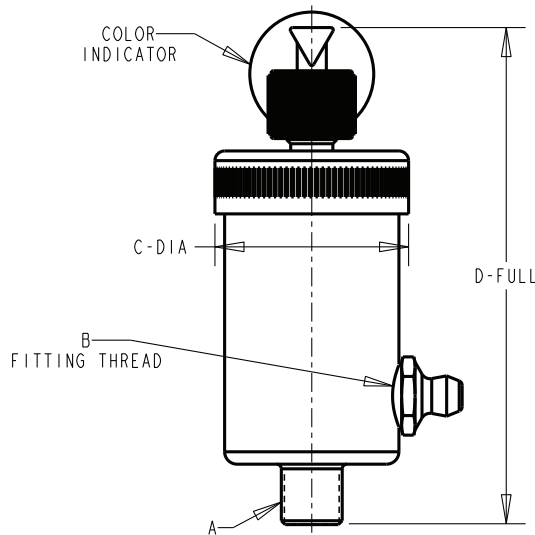
- Red (slow feed) for high ambient temperatures, close or tight fitting bearings, intermittent operations
- Green (fast feed) for low ambient temperatures, loose fitting bearings, continuous operation

Standard Feed Rates (adjustable):

- No.1 for bearings up to 50 sq. in. (1270 sq. mm)
- No.2 for bearings 50 to 100 sq. in. (1270 to 2540 sq. mm)
- No.3 for bearings 100 to 250 sq. in. (2540 to 6350 sq. mm)
- No.4 for bearings 250 to 400 sq. in. (6350 to 10160 sq. mm)

Temperature Ratings:

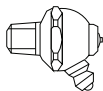
- Maximum operating temperatures up to 160°F (71°C)
- For applications requiring maximum operating temperatures of 160°F (71°C) and above, please consult factory



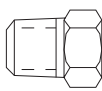
GUN-fil® Lubricator						
Part No.	Size and Capacity	Valve Color	A Shank	B Thread	C inches (mm)	D inches (mm)
201452	#1 .50 oz (14.80 mL)	RED	1/8-27	1/8-27	1.25 (31.75)	4.15 (105.41)
201453		GREEN				
201464	#2 1.75 oz (51.80 mL)	RED	3/8-18	1/4-18	2.50 (63.50)	4.35 (110.49)
201465		GREEN				
201468	#3 3.50 oz (103.50 mL)	RED	3/8-18	1/4-18	2.50 (63.50)	6.21 (157.73)
201469		GREEN				
201472	#4 8.00 oz (236.60 mL)	RED	3/4-14	1/4-18	3.25 (82.55)	9.74 (247.40)
201473		GREEN				

OPTIONAL FITTINGS

**PRESSURE RELIEF
GREASE FITTING**
1/8-27PTF
P/N 809310



ADAPTER
1/4-18 MALE
BY 1/8-27 FEMALE
P/N PF101-4-2



To prevent over-filling, order grease fitting with integral pressure relief valve (P/N 809310) Fits **GUN-fil® LUBRICATOR** size #1 (1/8 inch female thread). To fit sizes #2, #3 and #4, also order adapter (P/N PF101-4-2).

Dimensions and specifications are subject to change without notice. Not all items are Made-To-Stock, contact us for availability.

11/20

Ph : 920-682-6877
Fx : 920-684-7210



sales@ldi-industries.com
www.ldi-industries.com