

ReliefPLUS Truck Frame Mounting Kit

Item# 9502870

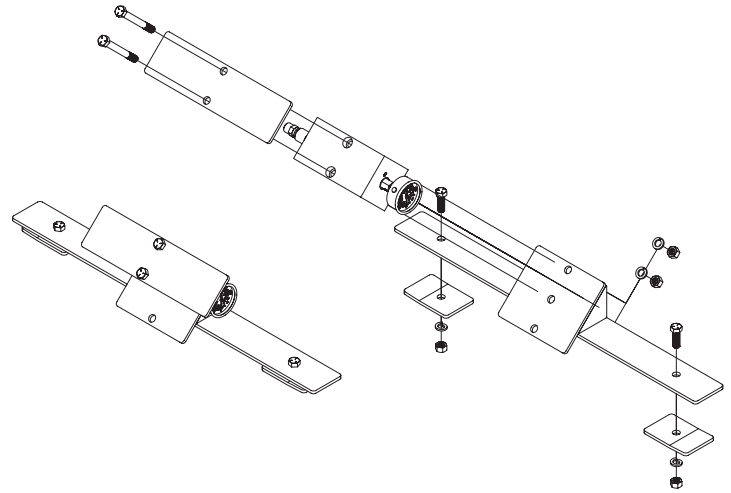
Mounting your ReliefPLUS a breeze when utilizing this mounting kit. This mounting kit is made for the ReliefPLUS.

Benefits

- No drilling holes into the frame
- Universal mounting kit fits most trucks
- Professional and clean appearance
- Can be removed and reassembled on another truck

Features

- Heavy Duty 1/4" Steel Construction
- Black Powder Coat Finish
- Includes All Necessary Hardware
- Angles Coupler Connections Upward
- Angles Pump and Tank Connections Downward
- Top Plate Protects Valves and Gauge



DumpPLUS Truck Frame Mounting Kit

Item# 9502872

Mounting your DumpPLUS a breeze when utilizing this mounting kit. This mounting kit is made for the DumpPLUS.

Benefits

- No drilling holes into the frame
- Universal mounting kit fits most trucks
- Professional and clean appearance
- Can be removed and reassembled on another truck

Features

- Heavy Duty 1/4" Steel Construction
- Black Powder Coat Finish
- Includes All Necessary Hardware
- Angles Coupler Connections Upward
- Angles Pump and Tank Connections Downward
- Top Plate Protects Valves and Gauge

