



DumpPLUS 40 GPM Dump Valve / Relief / Gauge

Item# 9502860

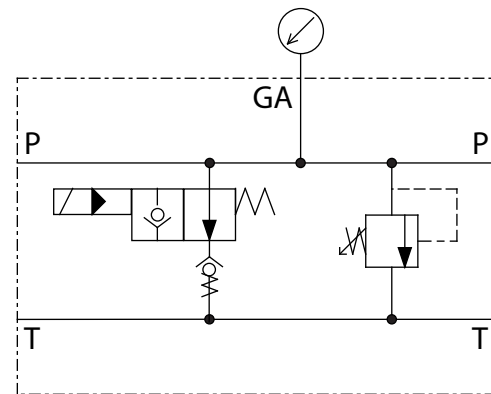
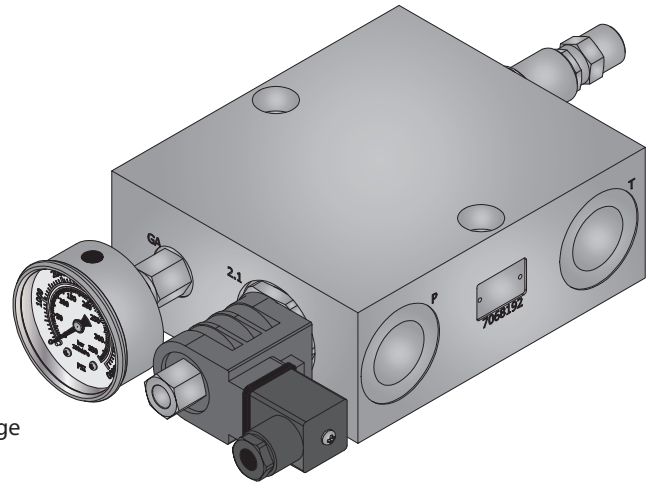
Here is the answer to clean up complicated and unsightly hydraulic plumbing on your truck's hydraulic system. Simply plumb this 'pressure & tank' manifold assembly into your truck's pressure line from the pump and to the return line going to tank. This valve will normally dump full system pressure and flow to tank. And, at the flip of a switch, provide full pressure and flow to your trailer or other hydraulic equipment. Reduce the headache of plumbing your truck today and utilize this professional hydraulic solution on your equipment. You'll be glad you did!

Benefits

- Hydraulic couplers can be mounted directly to the manifold
- Removes leak points
- Centralizes system components
- Easily plumbed
- Keeps pump primed, prevents cavitation wear
- Professional and clean appearance

Features

- Operating Pressure: 3500 PSI Maximum
- Flow: 40 GPM
- Ports: #16 SAE O-ring P & T Ports, #6 SAE O-ring Gauge Port
- Pressure and Tank Port Spacing: Accommodates 1" Wing Couplers
- Duty Cycle: Continuous
- Relief Valve: Pilot Operated, Preset At 3000 PSI, 300-3500 Adjustment Range
- Pressure Gauge: Liquid Filled, 0-5000 PSI, Dual Scale Includes Bar
- Solenoid Specifications: 12 VDC, 1.8 Amps
- DIN Connector: IP67 and NEMA 6, Dust Tight & Water Resistant
- Wire Included: Molded, 5 Feet Long, PVC Coated Jacket, 18 Gauge
- Installation: Unrestricted
- Hardware Included: Socket Head Cap Screws, Washers, and Nuts
- Temperature Range: -40°F to +212°F
- Hydraulic System: Open, Fixed Displacement Pumps
- Construction: Aircraft Grade 6061 Aluminum
- Shipping Weight: 18 lbs.



Hydraulic Schematic

Typical Applications

- Use a wireless control to control from the back of the trailer
- Keep an eye on how fast your trailer is unloading
- Used on walking floor trailers, belt trailers, and chain trailers

Options

- 24 VDC

DumpPLUS Truck Frame Mounting Kit

Item# 9502872

Mounting your DumpPLUS a breeze when utilizing this mounting kit. This mounting kit is made for the DumpPLUS.

Benefits

- No drilling holes into the frame
- Universal mounting kit fits most trucks
- Professional and clean appearance
- Can be removed and reassembled on another truck

Features

- Heavy Duty 1/4" Steel Construction
- Black Powder Coat Finish
- Includes All Necessary Hardware
- Angles Coupler Connections Upward
- Angles Pump and Tank Connections Downward
- Top Plate Protects Valves and Gauge

