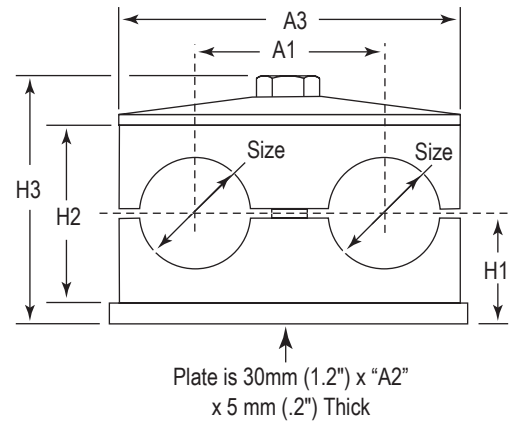
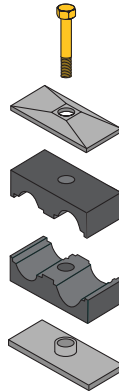




Technical Information



- Chamfered and smooth core protects hose cover and extends the life of the hose
- Reduces wear on hose connection caused by vibration and surge

Part No.	SAE 100R1 Hose Size	Dimensions (Inches)						WT/100	Bolt
		A1	A2	A3	H1	H2	H3		
1994838	1/4" (0.53)	1.14	2.16	2.08	0.70	1.02	1.71	31	5/16 - 18 x 13/8
1994841	3/8" (0.69)	1.14	2.16	2.08	0.70	1.02	1.71	31	
1994844	1/2" (0.81)	1.41	2.75	2.63	0.92	1.45	2.14	39	5/16 - 18 x 13/4
1994847	5/8" (0.93)	1.77	3.34	3.22	1.02	1.65	2.34	49	5/16 - 18 x 2
1994850	3/4" (1.10)	1.77	3.34	3.22	1.02	1.65	2.34	49	
1994853	1" (1.42)	2.2	4.33	4.17	1.25	2.12	2.81	65	5/16 - 18 x 2 3/8