

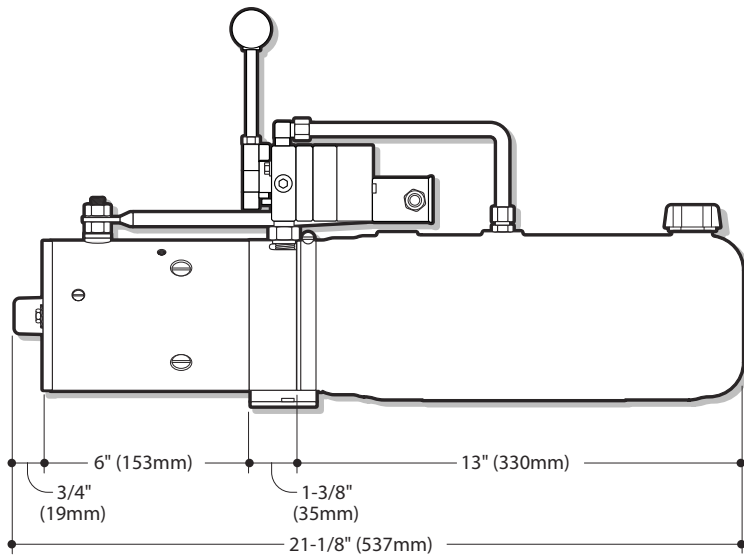
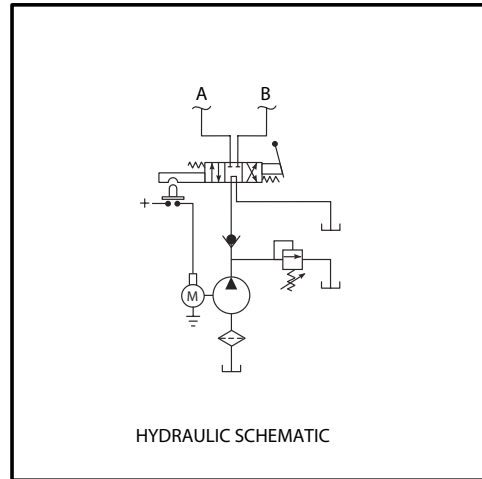
MODEL M-310

Description:

- Pump/Motor/Reservoir/Valve
- Check Valve
- 4-Way Manually Operated Valve With Cam Actuated Motor Start Switch
- Externally Adjustable Relief Valve
- .250 Inch NPT Outlets
- Horizontal Mounting Standard

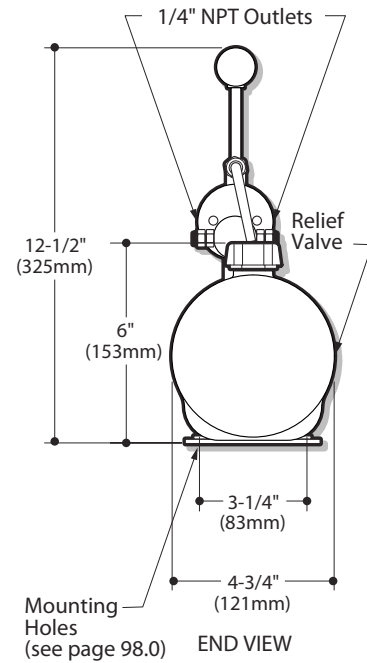
Popular Options:

- Orifice For Controlling Pressure on A and/or B Ports Available
- Vertical Mounting. Motor Up
- #4 SAE Outlets



SIDE VIEW

Optional Eye-Bolt



END VIEW