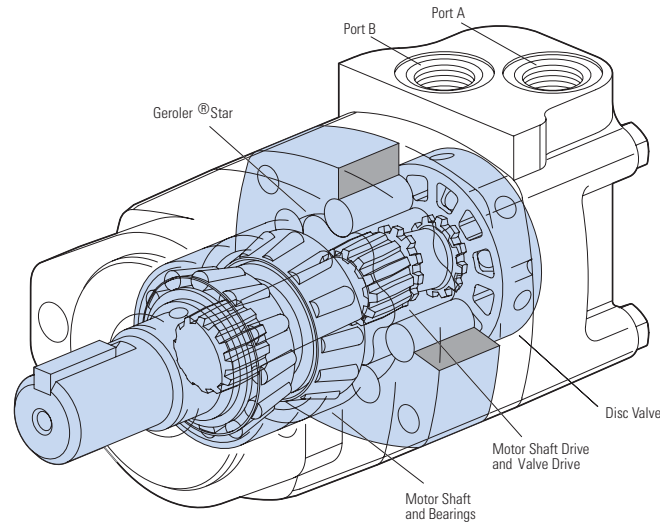


2000 Series

Highlights



Features

- Three zone design for longer life and true bi-directionality.
- Bearings that meet the highest standards of the industry
- Options to optimize performance in every application
- Integrated cross-over relief valve option

Benefits

- Easy to design in a system
- Proven reliability and performance in tough applications
- Compact design that maximizes power density

Applications

- Skid Steer Attachments
- Swing Motor
- Brush Cutters & Mowers
- Harvesting Equipment
- Directional Boring any place pressure relief protection is optimal for system or motor performance and life
- Turf equipment

C-1

Description

The popular 2000 Series provides torque up to 7500 lb-in. This proven design is reliable and durable. Eaton has added options that make the motor more flexible to use in a wide variety of applications. The expanded displacement range using patented “Drive in Drive” technology is the latest innovation in the 2000 series of motors

2000 Series

Geroler Element	13 Displacements
Flow l/min [GPM]	75 [20] Continuous**
	115 [30] Intermittent*
Speed RPM	1215 Cont.**
	1215 Inter.*
Pressure bar [PSI]	205 [3000] Cont.**
	310 [4500] Inter.*
Torque Nm [lb-in]	845 [7470] Cont.**
	930 [8225] Inter.*

** Continuous— (Cont.) Continuous rating, motor may be run continuously at these ratings.

* Intermittent— (Inter.) Intermittent operation, 10% of every minute.



Harvester



Paving Equipment



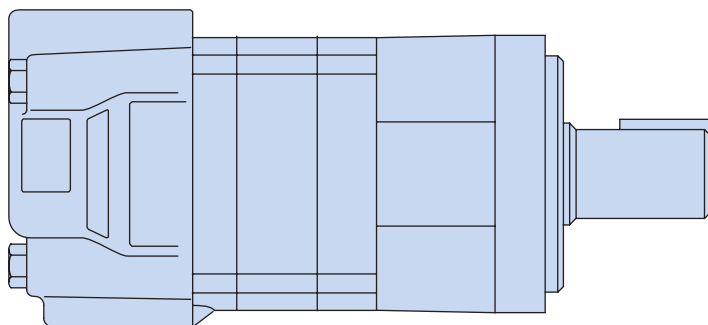
Conveyors



Boom Lifts

2000 Series

Specifications



SPECIFICATION DATA – 2000 SERIES MOTORS

Displ. cm ³ /r [in ³ /r]		34 [2.1]	41 [2.5]	66 [4.0]	80 [4.9]	90 [5.5]	100 [6.2]	130 [8.0]	160 [9.6]	195 [11.9]	245 [14.9]	305 [18.7]	395 [24.0]	490 [29.8]
Max Speed	Continuous	1215	1104	1075	908	836	742	576	477	385	308	246	191	153
(RPM) @ Flow	Intermittent	1215	1216	1214	908	1042	924	720	713	577	462	365	287	230
Flow	Continuous	42 [11]	45 [12]	72 [19]	75 [20]	75 [20]	75 [20]	75 [20]	75 [20]	75 [20]	75 [20]	75 [20]	75 [20]	75 [20]
l/min [GPM]	Intermittent	42 [11]	53 [14]	87 [23]	75 [20]	95 [25]	95 [25]	95 [25]	115 [30]	115 [30]	115 [30]	115 [30]	115 [30]	115 [30]
Torque*	Continuous	98 [864]	112 [988]	186 [1643]	235 [2065]	265 [2326]	295 [2630]	385 [3420]	455 [4040]	540 [4780]	660 [5850]	765 [6750]	775 [6840]	845 [7470]
Nm [lb-in]	Intermittent	141 [1250]	169 [1497]	276 [2446]	345 [3035]	390 [3458]	445 [3950]	560 [4970]	570 [5040]	665 [5890]	820 [7250]	885 [7820]	925 [8170]	930 [8225]
Pressure	Continuous	205 [3000]	205 [3000]	205 [3000]	205 [3000]	205 [3000]	205 [3000]	205 [3000]	205 [3000]	205 [3000]	205 [3000]	205 [3000]	155 [2250]	120 [1750]
	Intermittent	310 [4500]	310 [4500]	310 [4500]	310 [4500]	310 [4500]	310 [4500]	310 [4500]	260 [3750]	260 [3750]	260 [3750]	240 [3500]	190 [2750]	140 [2000]
Δ bar [Δ PSI]	Peak	310 [4500]	310 [4500]	310 [4500]	310 [4500]	310 [4500]	310 [4500]	310 [4500]	310 [4500]	310 [4500]	310 [4500]	310 [4500]	225 [3250]	170 [2500]
Weight	Standard or Wheel Mount	8.8 [19.4]	8.8 [19.4]	8.8 [19.4]	9.3 [20.5]	9.3 [20.5]	9.5 [21.0]	9.8 [21.5]	10.0 [22.0]	10.4 [23.0]	11.3 [25.0]	11.3 [25.0]	11.8 [26.0]	12.2 [27.0]
kg [lb]	Bearingless	6.8 [15.0]	6.8 [15.0]	6.8 [15.0]	7.3 [16.0]	7.3 [16.0]	7.5 [16.5]	7.7 [17.0]	7.9 [17.5]	8.4 [18.5]	9.3 [20.5]	9.3 [20.5]	9.8 [21.5]	10.2 [22.5]

Note:

To assure best motor life, run motor for approximately one hour at 30% of rated pressure before application to full load. Be sure motor is filled with fluid prior to any load applications.

Maximum Inlet Pressure:

310 bar [4500 PSI]
Do not exceed Δ pressure rating (see chart above).

Maximum Return Pressure:

310 bar [4500 PSI] with case drain line installed.
Do not exceed Δ pressure rating (see chart above).

Δ bar [Δ PSI] :

The true pressure difference between inlet port and outlet port

Continuous Rating:

Motor may be run continuously at these ratings

Intermittent Operation:

10% of every minute

Peak Operation:

1% of every minute

Recommended Fluids:

Premium quality, anti-wear type hydraulic oil with a viscosity of not less than 70 SUS at operating temperature.

Recommended System Operating Temp.:

-34°C to 82°C [-30°F to 180°F]

Recommended Filtration:

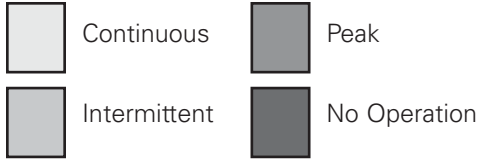
per ISO Cleanliness Code, 4406: 20/18/13

2000 Series

Performance Data

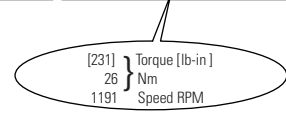
Motors run with high efficiency in all areas designated with a number for torque and speed. For best motor life select a motor to run with a torque and speed range shown in the light shaded area.

Performance data is typical at 120 SUS. Actual data may vary slightly from unit to unit in production.



34cm³/r [2.1 in³/r]
ΔPressure Bar [PSI]

	[500]	[1000]	[1500]	[2000]	[2500]	[3000]	[3500]	[4000]	[4500]
	34	69	103	138	172	207	241	276	310
[2]	[114]	[262]	[405]	[549]					
8	13 210	30 189	46 178	62 162					
[4]	[110]	[256]	[404]	[552]	[704]	[828]	[962]		
15	12 432	29 416	46 393	62 363	80 347	94 313	109 284		
[6]	[115]	[249]	[400]	[550]	[708]	[864]	[996]	[1099]	[1250]
23	13 651	28 636	45 613	62 580	80 546	98 518	113 467	124 425	141 404
[8]	[126]	[232]	[393]	[548]	[702]	[856]	[1003]	[1135]	[1244]
30	14 856	26 856	44 830	62 795	79 759	97 712	113 657	128 578	141 549
[10]	[114]	[239]	[386]	[541]	[697]	[850]	[995]	[1136]	[1261]
38	13 1105	27 1077	44 1049	61 1015	79 975	96 923	112 859	128 775	142 707
[11]	[99]	[231]	[380]	[533]	[679]	[834]	[987]	[1133]	[1245]
42	11 1215	26 1191	43 1160	60 254	77 1073	94 1023	112 945	128 854	141 819



41cm³/r [2.5 in³/r]
ΔPressure Bar [PSI]

	[500]	[1000]	[1500]	[2000]	[2500]	[3000]	[3500]	[4000]	[4500]
	34	69	103	138	172	207	241	276	310
[2]	[138]	[306]	[468]	[659]					
8	16 171	35 160	53 156	74 135					
[4]	[129]	[296]	[466]	[552]	[807]	[966]	[1110]	[1316]	[1421]
15	15 364	33 352	53 336	62 363	91 295	109 272	125 248	149 235	161 217
[6]	[135]	[300]	[473]	[550]	[818]	[985]	[1147]	[1292]	[1495]
23	15 550	34 535	53 516	62 580	92 465	111 437	130 406	146 352	169 326
[8]	[130]	[285]	[461]	[548]	[816]	[988]	[1150]	[1320]	[1477]
30	15 734	32 722	52 699	62 795	92 641	112 616	130 568	149 519	167 470
[10]	[137]	[276]	[455]	[541]	[802]	[979]	[1153]	[1329]	[1497]
38	15 921	31 909	51 884	61 1015	91 825	111 784	130 743	150 687	169 635
[12]	[119]	[268]	[441]	[1340]	[794]	[969]	[1141]	[1321]	[1494]
45	13 1104	30 1093	50 1068	150 254	90 1003	109 972	129 902	149 833	169 785
[14]				[597]	[787]	[953]	[1124]	[1309]	[1479]
53				67 1216	89 1184	108 1144	127 1073	148 997	167 921

C-1

66cm³/r [4.0 in³/r]
ΔPressure Bar [PSI]

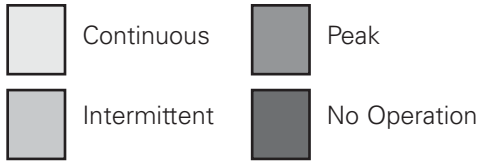
	[500]	[1000]	[1500]	[2000]	[2500]	[3000]	[3500]	[4000]	[4500]
	34	69	103	138	172	207	241	276	310
[2]	[226]	[503]	[746]	[987]					
8	26 103	57 102	84 93	112 88					
[4]	[226]	[508]	[791]	[1072]	[1342]	[1609]	[1810]	[2012]	[2220]
15	26 214	57 208	89 194	121 188	152 181	182 172	204 158	227 136	251 134
[6]	[216]	[503]	[792]	[1075]	[1353]	[1629]	[1890]	[2123]	[2332]
23	24 329	57 318	89 305	121 290	153 284	184 270	214 257	240 235	264 228
[8]	[208]	[495]	[781]	[1070]	[1352]	[1633]	[1910]	[2186]	[2405]
30	23 444	56 430	88 415	121 401	153 387	184 372	216 355	247 339	272 320
[10]	[195]	[486]	[777]	[1070]	[1359]	[1643]	[1920]	[2191]	[2446]
38	22 560	55 544	88 529	121 513	154 497	186 480	217 461	248 440	276 419
[12]	[182]	[472]	[757]	[1052]	[1345]	[1627]	[1912]	[2189]	[2444]
45	21 672	53 658	86 643	119 623	152 606	184 586	216 565	247 547	276 528
[14]	[187]	[459]	[750]	[1045]	[1339]	[1633]	[1926]	[2198]	[2443]
53	21 788	52 776	85 758	118 738	151 720	184 701	218 680	248 654	276 640
[16]	[182]	[436]	[724]	[1019]	[1313]	[1604]	[1915]	[2181]	[2443]
61	21 901	49 887	82 870	115 849	148 829	181 808	216 785	246 753	276 734
[19]	[167]	[407]	[702]	[996]	[1283]	[1588]	[1866]	[2157]	[2441]
72	19 1075	46 1061	79 1040	113 1017	145 996	179 967	211 950	244 919	276 876
[21]	[162]	[391]	[679]	[967]	[1255]	[1556]	[1840]	[2268]	[2432]
79	18 1188	44 1175	77 1152	109 1129	142 1105	176 1075	208 1052	256 987	275 988
[23]				[1226]	[1523]	[1814]	[1985]	[2387]	
87				139 1214	172 1185	205 1155	224 1125	270 1107	

2000 Series

Performance Data

Motors run with high efficiency in all areas designated with a number for torque and speed. For best motor life select a motor to run with a torque and speed range shown in the light shaded area.

Performance data is typical at 120 SUS. Actual data may vary slightly from unit to unit in production.



80cm³/r [4.9 in³/r]
ΔPressure Bar [PSI]

	[500]	[1000]	[1500]	[2000]	[2500]	[3000]	[3500]	[4000]	[4500]
	35	70	105	140	170	205	240	275	310
[.25]	[210]	[420]							
.95	25 3	45 1							
[.5]	[250]	[500]	[740]						
1.9	30 17	50 8	85 3						
[1]	[330]	[670]	[990]	[1300]	[1550]	[1800]	[1950]	[2110]	
3.8	35 44	75 40	110 37	145 34	175 28	205 22	220 14	240 2	
[2]	[330]	[670]	[995]	[1310]	[1580]	[1840]	[2100]	[2365]	[2630]
7.5	35 90	75 85	110 81	150 78	180 72	210 65	235 57	265 49	295 42
[4]	[325]	[670]	[1005]	[1330]	[1620]	[1920]	[2200]	[2480]	[2765]
15	35 182	75 176	115 170	150 166	185 159	215 152	250 140	280 128	310 117
[6]	[320]	[665]	[1010]	[1340]	[1655]	[1975]	[2270]	[2570]	[2880]
23	35 273	75 267	115 259	150 254	185 246	225 238	255 223	290 207	325 192
[8]	[310]	[660]	[1015]	[1345]	[1685]	[2020]	[2330]	[2640]	[2960]
30	35 365	75 375	115 349	150 341	190 333	230 325	265 306	300 286	335 266
[10]	[300]	[650]	[1010]	[1350]	[1700]	[2050]	[2370]	[2690]	[3010]
38	35 456	75 448	115 439	155 429	190 420	230 411	270 388	305 364	340 341
[12]	[285]	[640]	[1005]	[1350]	[1705]	[2065]	[2390]	[2715]	[3035]
45	30 547	70 537	115 530	155 516	195 507	235 497	270 470	305 442	345 415
[14]	[270]	[625]	[990]	[1340]	[1705]	[2065]	[2395]	[2720]	[3030]
53	30 638	70 629	110 622	150 603	195 593	235 584	270 553	305 521	340 490
[16]	[255]	[610]	[975]	[1330]	[1690]	[2055]	[2385]	[2700]	[2995]
61	30 729	70 720	110 714	150 689	190 679	230 670	270 635	305 599	340 564
[18]	[230]	[590]	[955]	[1310]	[1680]	[2025]	[2355]	[2660]	[2935]
68	25 818	65 810	110 795	150 775	190 765	230 756	265 717	300 677	330 638
[20]	[210]	[570]	[930]	[1290]	[1645]	[1985]	[2305]	[2600]	[2845]
76	25 908	65 901	105 880	145 861	185 851	225 842	260 799	295 755	320 712



90cm³/r [5.5 in³/r]
ΔPressure Bar [PSI]

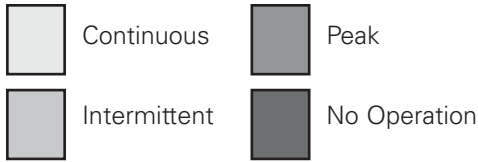
	[250]	[500]	[1000]	[1500]	[2000]	[2500]	[3000]	[3500]	[4000]	[4500]
	15	35	70	105	140	170	205	240	275	310
[.25]	[124]	[233]	[471]							
.95	14 5	26 2	53 1							
[.5]	[133]	[273]	[555]	[832]						
1.9	15 15	31 13	63 6	94 2						
[1]	[151]	[358]	[744]	[1091]	[1424]	[1697]	[1952]	[2189]	[2368]	
3.8	17 39	40 39	84 35	123 32	161 28	192 21	221 13	247 12	268 2	
[2]	[151]	[358]	[744]	[1099]	[1439]	[1737]	[2015]	[2293]	[2570]	[2855]
7.5	17 82	40 80	84 76	124 72	163 68	196 61	228 50	259 38	290 29	323 20
[4]	[151]	[350]	[899]	[1113]	[1473]	[1800]	[2132]	[2454]	[2775]	[3100]
15	17 167	40 163	102 158	126 152	166 148	203 139	241 126	277 115	314 102	350 90
[6]	[142]	[348]	[736]	[613]	[1492]	[1851]	[2208]	[2552]	[2898]	[3249]
23	16 250	39 245	83 240	69 233	169 227	209 218	249 203	288 191	327 176	367 161
[8]	[133]	[338]	[729]	[1128]	[1509]	[1890]	[2269]	[2635]	[3000]	[3367]
30	15 35	38 328	82 329	127 314	170 306	214 295	256 281	298 266	339 249	380 231
[10]	[124]	[331]	[724]	[1130]	[1521]	[1912]	[2309]	[2670]	[3036]	[3398]
38	14 418	37 410	82 404	128 395	172 385	216 373	261 361	302 342	343 322	384 302
[12]	[106]	[315]	[714]	[1127]	[1525]	[1924]	[2326]	[2704]	[3082]	[3458]
45	12 502	36 493	81 485	127 477	172 464	217 451	263 441	306 417	348 394	391 372
[14]	[98]	[298]	[706]	[1115]	[1525]	[1924]	[2326]	[2707]	[3080]	[3450]
53	11 585	34 575	80 567	126 559	172 543	217 529	263 521	306 493	348 467	390 431
[16]	[80]	[285]	[688]	[1107]	[1510]	[1907]	[2311]	[2697]	[3070]	[3432]
61	9 670	32 658	78 650	125 641	171 622	215 607	261 610	305 568	347 541	388 513
[18]	[62]	[262]	[673]	[1087]	[1490]	[1892]	[2281]	[2662]	[3030]	[3381]
68	7 753	30 740	76 732	123 719	168 701	214 685	258 680	301 643	342 613	382 583
[20]	[53]	[242]	[644]	[1045]	[1447]	[1850]	[2246]	[2617]	[2988]	[3301]
76	6 836	27 822	73 814	118 796	163 780	209 765	254 748	296 719	338 686	373 653
[22]	[35]	[231]	[639]	[1047]	[1437]	[1836]	[2218]	[2599]	[2981]	
83	4 920	26 916	72 907	118 895	162 876	207 854	251 749	294 803	337 774	
[24]	[18]	[204]	[612]	[1011]	[1366]	[1792]	[2182]	[2573]	[2963]	
91	2 1003	23 1000	69 991	114 978	154 960	202 940	247 918	291 882	335 850	
[25]		[195]	[594]	[994]	[1384]	[1765]	[2173]	[2564]		
95		22 1042	67 1033	112 1020	156 1003	199 984	246 954	290 921		

2000 Series

Performance Data

Motors run with high efficiency in all areas designated with a number for torque and speed. For best motor life select a motor to run with a torque and speed range shown in the light shaded area.

Performance data is typical at 120 SUS. Actual data may vary slightly from unit to unit in production.

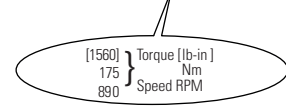


100cm³/r [6.2 in³/r]
ΔPressure Bar [PSI]

	[250] 15	[500] 35	[1000] 70	[1500] 105	[2000] 140	[2500] 170	[3000] 205	[3500] 240	[4000] 275	[4500] 310
[.25]	[140] 15 4	[260] 30 2								
[.5]	[150] 15 13	[300] 35 9	[620] 70 5	[940] 105 2						
[1]	[170] 20 35	[390] 45 34	[830] 95 31	[1210] 135 28	[1570] 175 23	[1870] 210 15	[2130] 240 6			
[2]	[170] 20 73	[390] 45 71	[830] 95 68	[1220] 140 63	[1590] 180 59	[1920] 215 51	[2220] 250 38	[2520] 285 24	[2810] 315 14	[3120] 355 4
[4]	[170] 20 148	[380] 45 145	[820] 90 141	[1240] 140 136	[1640] 185 131	[2010] 225 121	[2380] 270 104	[2750] 310 94	[3120] 355 80	[3490] 395 69
[6]	[160] 20 222	[380] 45 219	[820] 90 215	[1260] 140 209	[1670] 190 202	[2080] 235 192	[2480] 280 172	[2880] 325 163	[3280] 370 149	[3680] 415 134
[8]	[150] 15 297	[370] 40 294	[810] 90 288	[1260] 140 281	[1700] 190 273	[2130] 240 261	[2560] 290 243	[2990] 340 231	[3420] 385 216	[3840] 435 200
[10]	[140] 15 371	[368] 40 367	[810] 90 362	[1270] 145 354	[1720] 195 344	[2160] 245 330	[2610] 295 316	[3020] 340 300	[3440] 390 283	[3850] 435 266
[12]	[120] 15 445	[350] 40 442	[800] 90 436	[1270] 145 427	[1730] 195 415	[2180] 245 399	[2630] 295 389	[3070] 345 369	[3510] 395 350	[3950] 445 332
[14]	[110] 10 519	[330] 35 516	[800] 90 509	[1260] 140 500	[1740] 195 486	[2180] 245 469	[2630] 295 463	[3070] 345 437	[3500] 395 417	[3940] 445 378
[16]	[90] 10 594	[320] 35 591	[780] 90 583	[1260] 140 573	[1720] 195 558	[2160] 245 540	[2610] 295 537	[3060] 345 506	[3500] 395 485	[3940] 445 463
[18]	[70] 10 668	[300] 35 665	[770] 85 657	[1240] 140 646	[1700] 190 630	[2140] 240 611	[2580] 290 609	[3020] 340 574	[3460] 390 552	[3900] 440 529
[20]	[60] 5 742	[280] 30 739	[730] 80 731	[1180] 135 715	[1630] 185 703	[2090] 235 684	[2550] 290 662	[2980] 335 643	[3440] 390 619	[3830] 435 595
[22]	[40] 5 816	[260] 30 813	[720] 80 805	[1180] 135 794	[1620] 185 777	[2070] 235 758	[2500] 280 749	[2930] 330 712	[3360] 380 687	
[24]	[20] 1.0 890	[230] 30 887	[690] 80 879	[1140] 130 868	[1540] 175 852	[2020] 230 834	[2460] 280 814	[2900] 330 782	[3340] 375 754	
[25]		[220] 25 924	[670] 75 916	[1120] 125 905	[1560] 175 890	[1990] 225 873	[2450] 275 846	[2890] 325 817		

Flow LPM [GPM]

C-1



130cm³/r [8.0 in³/r]
ΔPressure Bar [PSI]

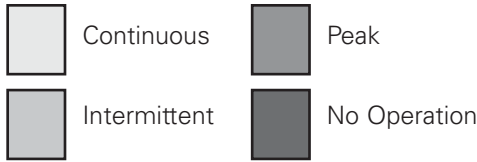
	[250] 15	[500] 35	[1000] 70	[1500] 105	[2000] 140	[2500] 170	[3000] 205	[3500] 240	[4000] 275	[4500] 310
[.25]	[170] 20 3									
[.5]	[190] 20 12	[410] 45 8	[870] 100 2							
[1]	[230] 25 28	[510] 60 27	[1070] 120 23	[1580] 180 19	[2050] 230 16	[2520] 285 13	[2920] 309 9	[3310] 375 3		
[2]	[230] 25 56	[510] 60 56	[1080] 120 53	[1600] 180 47	[2090] 235 42	[2580] 290 39	[2930] 330 36	[3320] 375 28	[3640] 410 21	[3990] 450 13
[4]	[220] 25 114	[500] 55 113	[1080] 120 111	[1620] 185 104	[2150] 245 97	[2660] 300 95	[3100] 350 92	[3540] 400 85	[3980] 450 77	[4420] 500 70
[6]	[220] 25 172	[490] 55 171	[1080] 120 169	[1640] 185 161	[2190] 245 153	[2740] 310 149	[3260] 370 146	[3770] 425 132	[4280] 485 118	[4800] 540 104
[8]	[200] 25 230	[480] 55 224	[1080] 120 222	[1650] 185 219	[2220] 250 210	[2780] 315 204	[3310] 375 201	[3840] 435 192	[4360] 495 184	[4890] 550 175
[10]	[180] 20 287	[470] 55 286	[1070] 120 282	[1650] 185 276	[2230] 250 269	[2800] 315 261	[3420] 385 255	[3940] 445 243	[4450] 505 231	[4970] 560 219
[12]	[160] 20 345	[460] 50 344	[1060] 120 338	[1640] 185 333	[2230] 250 327	[2800] 315 317	[3350] 380 307	[3910] 440 295	[4440] 500 284	[4960] 560 272
[14]	[150] 15 403	[440] 50 402	[1030] 115 395	[1620] 185 391	[2220] 250 385	[3000] 340 373	[3350] 380 360	[3910] 440 348	[4440] 500 336	
[16]	[130] 15 461	[420] 45 460	[1010] 115 452	[1600] 180 447	[2200] 250 443	[2780] 315 430	[3330] 375 411	[3890] 440 397	[4440] 500 384	
[18]	[110] 10 518	[400] 45 517	[990] 110 509	[1580] 180 504	[2160] 245 500	[2750] 310 484	[3300] 375 471	[3860] 435 456	[4410] 500 440	
[20]	[90] 10 576	[380] 45 575	[960] 110 568	[1550] 175 560	[2130] 240 551	[2710] 305 539	[3280] 370 524	[3840] 435 508		
[22]	[60] 5 634	[350] 40 633	[940] 105 624	[1520] 170 619	[2100] 235 604	[2680] 305 597	[3250] 365 579	[3820] 430 560		
[24]	[40] 5 692	[325] 35 691	[920] 105 682	[1490] 170 676	[2070] 235 665	[2650] 300 651	[3220] 365 633	[3780] 425 616		
[25]	[20] 1.0 720	[310] 35 719	[900] 100 712	[1480] 165 705	[2050] 230 692	[2630] 295 679	[3200] 360 682	[3700] 420 656		

2000 Series

Performance Data

Motors run with high efficiency in all areas designated with a number for torque and speed. For best motor life select a motor to run with a torque and speed range shown in the light shaded area.

Performance data is typical at 120 SUS. Actual data may vary slightly from unit to unit in production.

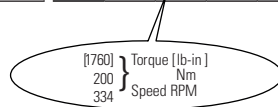


490cm³/r [29.8 in³/r]
ΔPressure Bar [PSI]

	[250]	[500]	[750]	[1000]	[1250]	[1500]	[1750]	[2000]
	15	35	50	70	85	105	120	140
[.5]	[670]	[1600]						
1.9	75 2	180 1						
[1]	[920]	[2000]	[2990]	[3900]	[4880]			
3.8	105 7	225 6	340 5	440 4	550 2			
[2]	[950]	[2060]	[3110]	[4080]	[5110]	[6320]		
7.5	105 14	235 13	350 12	460 10	575 9	715 7		
[4]	[980]	[2130]	[3230]	[4270]	[5350]	[6370]	[7380]	[7980]
15	110 30	240 29	365 28	480 27	605 26	720 24	835 22	900 20
[6]	[980]	[2120]	[3230]	[4300]	[5370]	[6420]	[7470]	[8225]
23	110 45	240 44	365 43	485 42	605 41	725 39	845 37	930 35
[8]	[980]	[2110]	[3220]	[4330]	[5400]	[6470]	[7550]	
30	110 61	240 60	365 59	490 58	610 57	730 55	855 52	
[10]	[920]	[2050]	[3170]	[4300]	[5390]	[6460]	[7550]	
38	105 76	230 75	360 74	485 73	610 72	730 70	855 68	
[12]	[860]	[1990]	[3120]	[4260]	[5370]	[6460]	[7560]	
45	95 91	225 90	355 90	480 89	605 87	730 85	855 84	
[14]	[790]	[1930]	[3055]	[4185]	[5300]	[6400]		
53	90 106	220 105	345 105	475 104	600 102	725 100		
[16]	[720]	[1870]	[2990]	[4110]	[5230]	[6340]		
61	80 122	210 121	340 120	465 119	590 118	715 116		
[18]	[630]	[1770]	[2890]	[4020]	[5140]	[6260]		
68	70 137	200 136	325 135	455 134	580 133	705 131		
[20]	[550]	[1670]	[2800]	[3940]	[5060]	[6180]		
76	60 153	190 152	315 151	445 150	570 149	700 146		
[22]	[450]	[1570]	[2700]	[3830]	[4960]	[6070]		
83	50 168	175 168	305 167	435 165	560 164	685 161		
[24]	[360]	[1480]	[2600]	[3730]	[4860]	[5970]		
91	40 184	165 184	295 183	420 181	550 179	675 177		
[26]	[270]	[1390]	[2510]	[3640]	[4770]			
98	30 199	155 195	285 194	410 192	540 190			
[28]		[1260]	[2370]	[3520]	[4630]			
106		140 212	270 211	400 209	525 207			
[30]		[1130]	[2240]	[3400]	[4500]			
114		125 230	255 229	385 227	510 224			

395cm³/r [24.0 in³/r]
ΔPressure Bar [PSI]

	[250]	[500]	[750]	[1000]	[1250]	[1500]	[1750]	[2000]	[2250]	[2500]	[2750]
	15	35	50	70	85	105	120	140	155	170	190
[.5]	[560]	[1310]									
1.9	65 4	150 3									
[1]	[770]	[1540]	[2290]	[3080]	[3780]	[4480]	[5170]	[5880]	[6580]	[7270]	[7980]
3.8	85 9	175 9	260 9	350 8	430 8	505 7	585 7	665 6	745 5	820 4	900 3
[2]	[790]	[1580]	[2360]	[3180]	[3930]	[4680]	[5430]	[6180]	[6940]	[7700]	[8470]
7.5	90 18	180 18	265 18	360 17	445 17	530 16	615 15	700 14	775 13	845 11	925 10
[4]	[810]	[1660]	[2480]	[3320]	[4130]	[4940]	[5740]	[6550]	[7330]	[8100]	
15	90 37	190 37	280 37	375 36	465 36	560 35	650 34	740 33	815 31	890 28	
[6]	[820]	[1700]	[2550]	[3420]	[4250]	[5080]	[5920]	[6750]	[7580]	[8400]	
23	90 57	190 56	290 56	385 55	480 55	575 54	670 52	765 49	840 47	905 45	
[8]	[820]	[1700]	[2580]	[3460]	[4300]	[5130]	[5960]	[6800]			
30	90 76	190 75	290 75	390 74	485 73	580 71	675 69	770 68			
[10]	[800]	[1700]	[2590]	[3480]	[4320]	[5160]	[6000]	[6840]			
38	90 95	190 94	295 94	395 93	490 92	585 90	680 88	775 86			
[12]	[770]	[1680]	[2570]	[3470]	[4310]	[5150]	[5990]	[6830]			
45	85 114	190 113	290 113	390 112	485 111	580 109	675 106	770 103			
[14]	[740]	[1640]	[2530]	[3430]	[4280]	[5120]	[5960]				
53	85 133	185 132	285 132	390 131	485 129	580 127	675 124				
[16]	[690]	[1590]	[2480]	[3370]	[4220]	[5060]	[5910]				
61	80 153	180 152	280 152	380 150	475 149	570 146	670 144				
[18]	[640]	[1530]	[2420]	[3310]	[4160]	[5010]	[5870]				
68	70 172	170 171	275 171	375 170	470 169	565 167	665 164				
[20]	[580]	[1470]	[2370]	[3260]	[4110]	[4960]	[5820]				
76	65 191	165 190	270 190	370 189	465 188	560 186	660 184				
[22]	[510]	[1390]	[2290]	[3170]	[4030]	[4880]					
83	60 210	155 209	260 209	360 208	455 207	550 206					
[24]	[440]	[1330]	[2220]	[3100]	[3950]	[4800]					
91	50 230	150 229	250 228	350 227	445 225	540 224					
[26]	[350]	[1240]	[2130]	[3020]	[3880]	[4730]					
98	40 249	140 248	240 247	340 246	440 244	535 242					
[28]	[270]	[1150]	[2050]	[2930]	[3790]	[4650]					
106	30 268	130 267	230 265	330 264	430 261	525 259					
[30]	[180]	[1060]	[1960]	[2850]	[3710]	[4570]					
114	20 287	120 286	220 284	320 283	420 281	515 277					
[35]		[840]	[1760]	[2640]	[3480]						
132		95 335	200 334	300 333	395 332						



2000 Series

Dimensions

Standard Mount

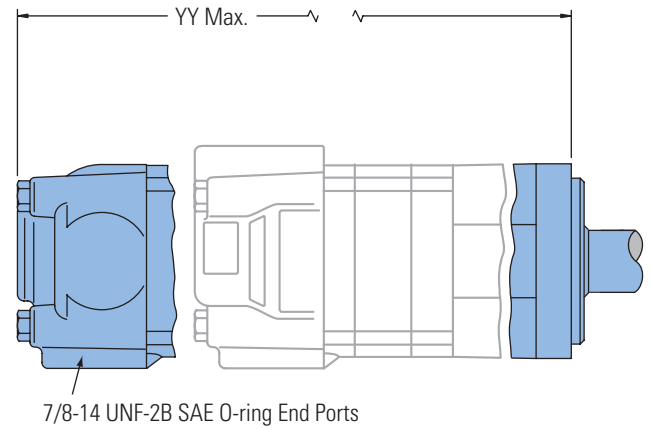
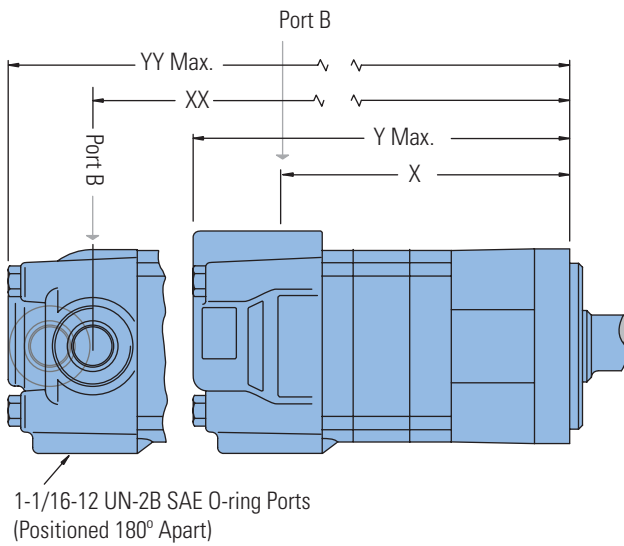
Ports

- 7/8 -14 UNF-2B SAE O-ring Staggered Ports (2)
- 7/16 -20 UNF-2B SAE O-ring Case Drain Port (1) or
- 1 1/16 -12 UN-2B SAE O-ring Ports (Positioned 180° Apart) (2)
- 7/16 -20 UNF-2B SAE O-ring Case Drain Port (1) or
- 7/8 -14 UNF-2B SAE O-ring End Ports (2)
- 7/16 -20 UNF-2B SAE O-ring Case Drain Port (1) or
- G 1/2 (BSP) Staggered Ports (2)
- G 1/4 (BSP) Case Drain Port (1) or
- Manifold Mount
- 7/16 -20 UNF-2B SAE O-ring Case Drain Port (1)

Standard Rotation Viewed from Shaft End

- Port A Pressurized — CW
- Port B Pressurized — CCW

Standard Mount



C-1

STANDARD MOUNT MOTOR DIMENSIONS

Displacement cm ³ /r [in ³ /r]	X mm [inch]	Y mm [inch]	XX mm [inch]	YY mm [inch]
34 [2.1]	126,7 [4.99]	174,0 [6.85]	129,0 [5.08]	175,3 [6.90]
41 [2.5]	128,0 [5.04]	175,3 [6.90]	130,5 [5.14]	176,8 [6.96]
66 [4.0]	133,9 [5.27]	181,1 [7.13]	136,1 [5.36]	182,4 [7.18]
80 [4.9]	136,9 [5.39]	184,2 [7.25]	139,2 [5.48]	185,4 [7.30]
100 [6.2]	141,5 [5.57]	189,0 [7.44]	143,8 [5.66]	190,3 [7.49]
130 [8.0]	147,9 [5.83]	195,4 [7.69]	150,2 [5.92]	196,6 [7.74]
160 [9.6]	147,9 [5.83]	195,4 [7.69]	150,2 [5.92]	196,6 [7.74]
195 [11.9]	154,7 [6.09]	202,2 [7.96]	157,0 [6.18]	203,2 [8.00]
245 [14.9]	163,7 [6.45]	211,1 [8.31]	166,0 [6.54]	212,4 [8.36]
305 [18.7]	175,1 [6.90]	222,3 [8.75]	177,4 [6.99]	223,5 [8.80]
395 [24.0]	191,0 [7.52]	238,6 [9.39]	193,3 [7.61]	239,8 [9.44]
490 [29.8]	208,4 [8.21]	255,8 [10.07]	210,7 [8.30]	270,1 [10.12]

2000 Series

Dimensions

Standard Mount with
Integral Relief Valve

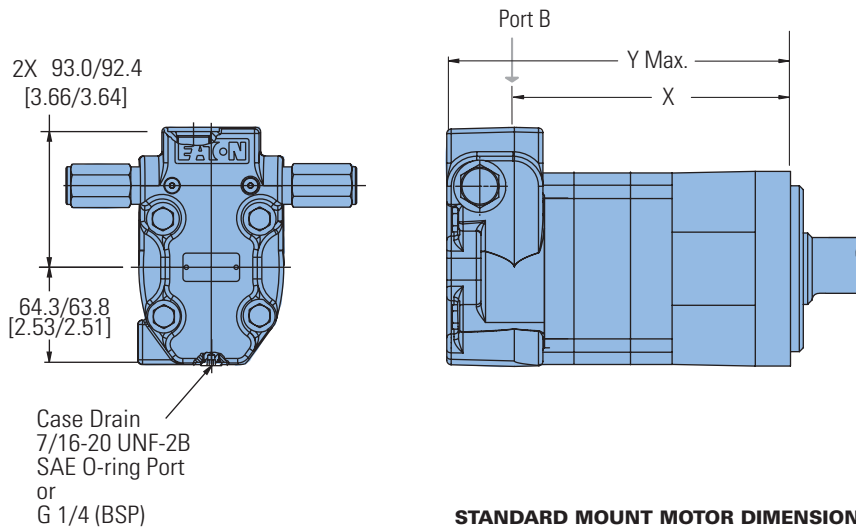
Ports

7/8 -14 UNF-2B SAE O-ring Staggered Ports (2)
7/16 -20 UNF-2B SAE O-ring Case Drain Port (1) or
G 1/2 (BSP) Staggered Ports (2)
G 1/4 (BSP) Case Drain Port (1)

Standard Rotation Viewed from Shaft End

Port A Pressurized — CW
Port B Pressurized — CCW

Standard Mount with Integral Relief Valve



STANDARD MOUNT MOTOR DIMENSIONS

Displacement cm ³ /r [in ³ /r]	X mm [inch]	Y mm [inch]
34 [2.1]	126,7 [4.99]	174,0 [6.85]
41 [2.5]	128,2 [5.05]	175,5 [6.91]
66 [4.0]	133,9 [5.27]	181,2 [7.13]
80 [4.9]	137,0 [5.40]	184,5 [7.26]
100 [6.2]	141,6 [5.58]	189,0 [7.44]
130 [8.0]	147,9 [5.83]	195,4 [7.69]
160 [9.6]	147,9 [5.83]	195,4 [7.69]
195 [11.9]	154,8 [6.10]	202,2 [7.96]
245 [14.9]	163,7 [6.45]	211,1 [8.31]
305 [18.7]	175,1 [6.90]	222,6 [8.76]
395 [24.0]	191,1 [7.53]	238,6 [9.39]
490 [29.8]	208,4 [8.21]	255,8 [10.07]

2000 Series

Dimensions

Wheel Mount

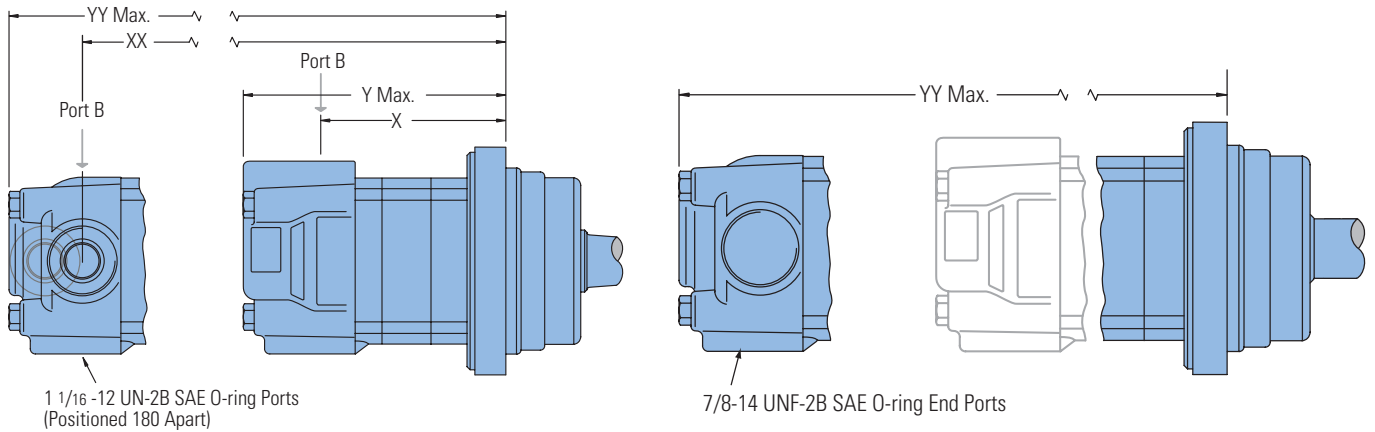
Ports

- 7/8 -14 UNF-2B SAE O-ring Staggered Ports (2)
- 7/16 -20 UNF-2B SAE O-ring Case Drain Port (1) or
- 1 1/16 -12 UN-2B SAE O-ring Ports (Positioned 180° Apart) (2)
- 7/16 -20 UNF-2B SAE O-ring Case Drain Port (1) or
- 7/8 -14 UNF-2B SAE O-ring End Ports (2)
- 7/16 -20 UNF-2B SAE O-ring Case Drain Port (1) or
- G 1/2 (BSP) Staggered Ports (2)
- G 1/4 (BSP) Case Drain Port (1) or
- Manifold Mount
- 7/16 -20 UNF-2B SAE O-ring Case Drain Port (1)

Standard Rotation Viewed from Shaft End

- Port A Pressurized — CW
- Port B Pressurized — CCW

Wheel Mount



WHEEL MOUNT MOTOR DIMENSIONS

Displacement	X	Y	XX	YY
cm ³ /r [in ³ /r]	mm [inch]	mm [inch]	mm [inch]	mm [inch]
34 [2.1]	86,5 [3.41]	133,8 [5.27]	88,8 [3.50]	135,1 [5.32]
41 [2.5]	88,0 [3.47]	135,3 [5.33]	90,3 [3.56]	136,6 [5.38]
66 [4.0]	93,7 [3.69]	141,0 [5.55]	96,0 [3.78]	142,3 [5.60]
80 [4.9]	96,8 [3.81]	144,0 [5.67]	99,1 [3,90]	145,3 [5.72]
100 [6.2]	101,3 [3.99]	148,9 [5.86]	103,6 [4.08]	150,2 [5.91]
130 [8.0]	107,8 [4.25]	155,2 [6.11]	110,1 [4.34]	156,5 [6.16]
160 [9.6]	107,8 [4.25]	155,2 [6.11]	110,1 [4.34]	156,5 [6.16]
195 [11.9]	114,6 [4.51]	161,8 [6.37]	116,8 [4.60]	163,1 [6.42]
245 [14.9]	123,5 [4.87]	171,0 [6.73]	125,8 [4.96]	172,3 [6.78]
305 [18.7]	135,0 [5.32]	182,1 [7.17]	137,4 [5.41]	183,4 [7.22]
395 [24.0]	150,9 [5.94]	198,4 [7.81]	153,2 [6.03]	199,7 [7.86]
490 [29.8]	168,2 [6.63]	215,7 [8.49]	170,7 [6.72]	217,0 [8.54]

2000 Series

Dimensions

Wheel Mount with Integral Relief Valve

Ports

7/8 -14 UNF-2B SAE O-ring Staggered Ports (2)
7/16 -20 UNF-2B SAE O-ring Case Drain Port (1)

G 1/2 (BSP) Staggered Ports (2)

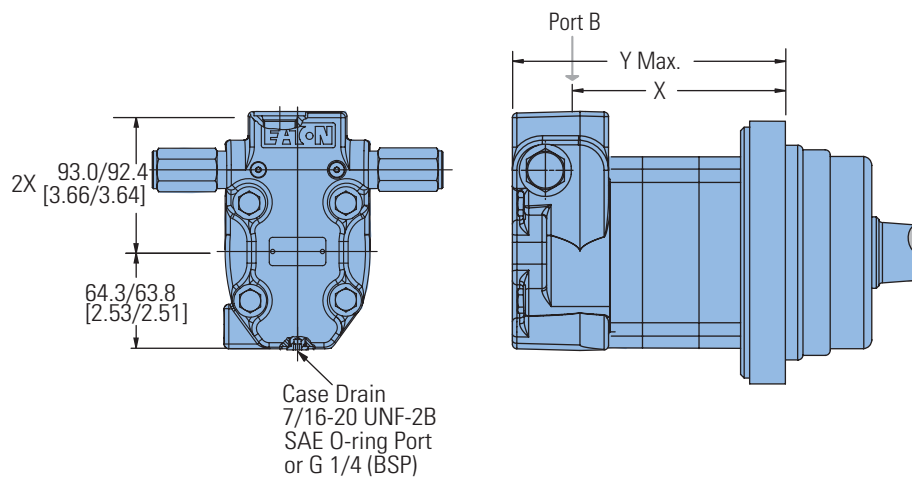
G 1/4 (BSP) Case Drain Port (1)

Standard Rotation Viewed from Shaft End

Port A Pressurized — CW

Port B Pressurized — CCW

Wheel Mount with Integral Relief Valve



WHEEL MOUNT MOTOR DIMENSIONS

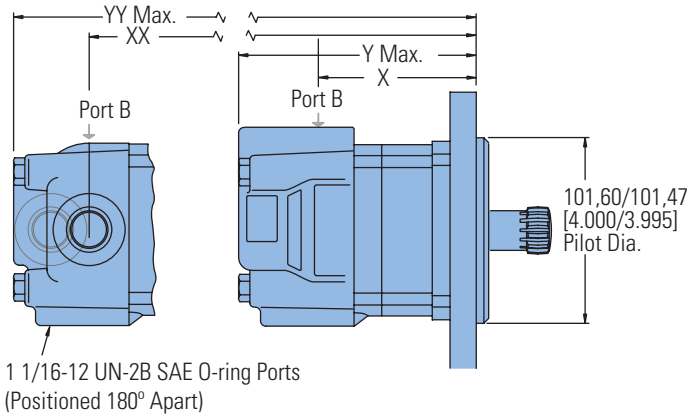
Displacement cm ³ /r [in ³ /r]	X mm [inch]	Y mm [inch]
34 [2.1]	86,5 [3.41]	133,8 [5.27]
41 [2.5]	88,0 [3.47]	135,3 [5.33]
66 [4.0]	93,7 [3.69]	141,0 [5.55]
80 [4.9]	96,9 [3.82]	144,3 [5.68]
100 [6.2]	101,4 [4.00]	148,9 [5.86]
130 [8.0]	107,8 [4.25]	155,2 [6.11]
160 [9.6]	107,8 [4.25]	155,2 [6.11]
195 [11.9]	114,6 [4.52]	162,1 [6.38]
245 [14.9]	123,5 [4.87]	171,0 [6.73]
305 [18.7]	135,0 [5.32]	182,4 [7.18]
395 [24.0]	151,0 [5.95]	198,4 [7.81]
490 [29.8]	168,2 [6.63]	215,7 [8.49]

2000 Series

Dimensions

Bearingless

Bearingless



Ports

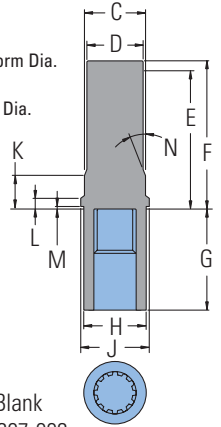
- 7/8 -14 UNF-2B SAE O-ring Staggered Ports (2)
- 7/16 -20 UNF-2B SAE O-ring Case Drain Port (1) or
- 1 1/16 -12 UN-2B SAE O-ring Ports (Positioned 180° Apart) (2)
- 7/16 -20 UNF-2B SAE O-ring Case Drain Port (1) or
- 7/8 -14 UNF-2B SAE O-ring End Ports (2)
- 7/16 -20 UNF-2B SAE O-ring Case Drain Port (1) or
- G 1/2 (BSP) Staggered Ports (2)
- G 1/4 (BSP) Case Drain Port (1) or
- Manifold Mount
- 7/16 -20 UNF-2B SAE O-ring Case Drain Port (1)

Standard Rotation Viewed from Shaft End

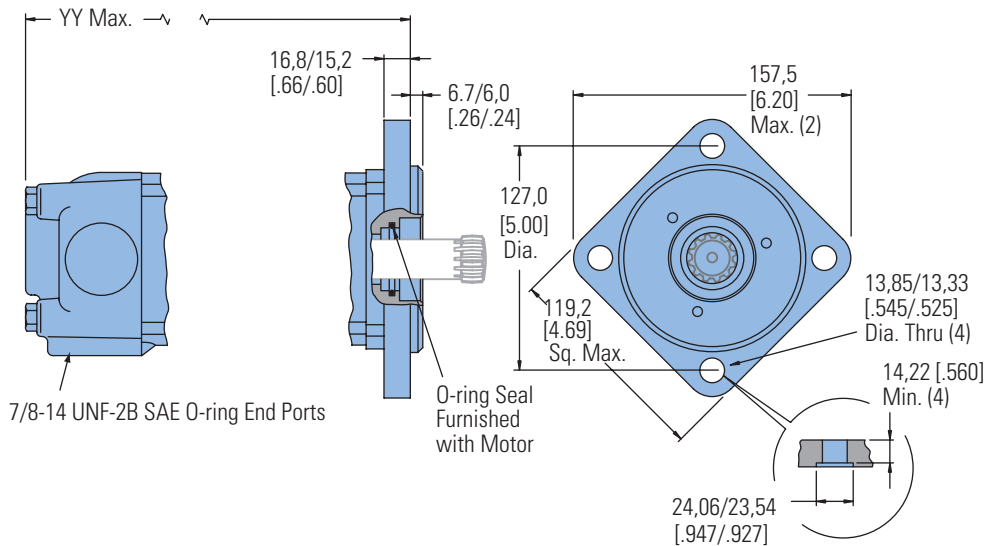
- Port A Pressurized — CW
- Port B Pressurized — CCW

MAT'L

- C 35,86 [1.412] Dia.
- D 34,04 [1.340] Dia.
- E 81,0 [3.19] Min. Full Form Dia.
- F 86,1 [3.39] Max.
- G 62,10 [2.445] Full Form Dia.
- H 38,40 [1.512] Dia.
- J 43,7 [1.72] Dia.
- K 25,91 [1.020]
- L 8,25 [.325]
- M 0,89 [.035]
- N 15°



C-1



For 2000 Series Bearingless Motor application information contact your Eaton representative (mating coupling blanks available from Eaton Hydraulics).

Note:

After machining blank, part must be hardened per Eaton specification.

BEARINGLESS MOTOR DIMENSIONS

Displacement cm ³ /r [in ³ /r]	X mm [inch]	Y mm [inch]	XX mm [inch]	YY mm [inch]
34 [2.1]	68,7 [2.71]	116,3 [4.58]	70,9 [2.79]	117,6 [4.63]
41 [2.5]	70,1 [2.76]	117,6 [4.63]	72,4 [2.85]	119,1 [4.69]
66 [4.0]	75,7 [2.98]	123,4 [4.86]	78,1 [3.08]	124,8 [4.91]
80 [4.9]	79,0 [3.11]	126,5 [4.98]	81,3 [3.20]	127,8 [5.03]
100 [6.2]	83,5 [3.29]	131,4 [5.17]	85,8 [3.38]	132,6 [5.22]
130 [8.0]	89,9 [3.54]	137,7 [5.42]	92,2 [3.63]	139,0 [5.47]

BEARINGLESS MOTOR DIMENSIONS

Displacement cm ³ /r [in ³ /r]	X mm [inch]	Y mm [inch]	XX mm [inch]	YY mm [inch]
160 [9.6]	89,9 [3.54]	137,7 [5.42]	92,2 [3.63]	139,0 [5.47]
195 [11.9]	96,8 [3.81]	144,3 [5.68]	99,0 [3.90]	145,5 [5.73]
245 [14.9]	105,6 [4.16]	153,5 [6.04]	107,9 [4.25]	154,7 [6.09]
305 [18.7]	117,1 [4.61]	164,6 [6.48]	119,4 [4.70]	165,9 [6.53]
395 [24.0]	133,1 [5.24]	180,9 [7.12]	135,4 [5.33]	182,1 [7.17]
490 [29.8]	150,3 [5.92]	198,2 [7.80]	152,7 [6.01]	199,3 [7.85]

2000 Series

Dimensions

Bearingless with Integral Relief Valve

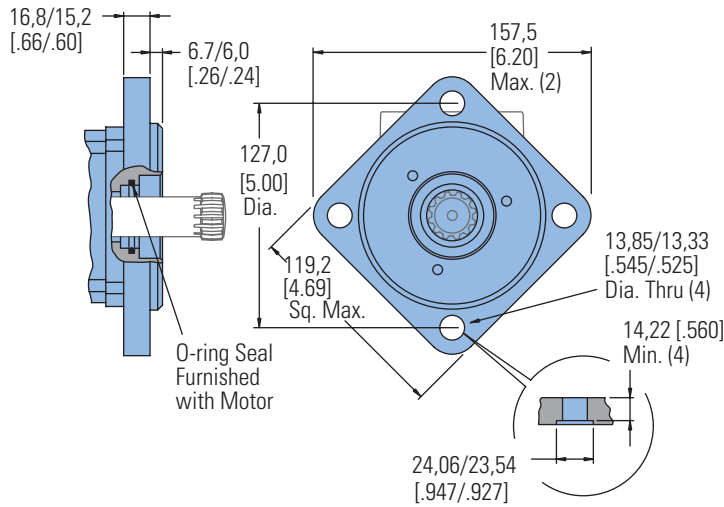
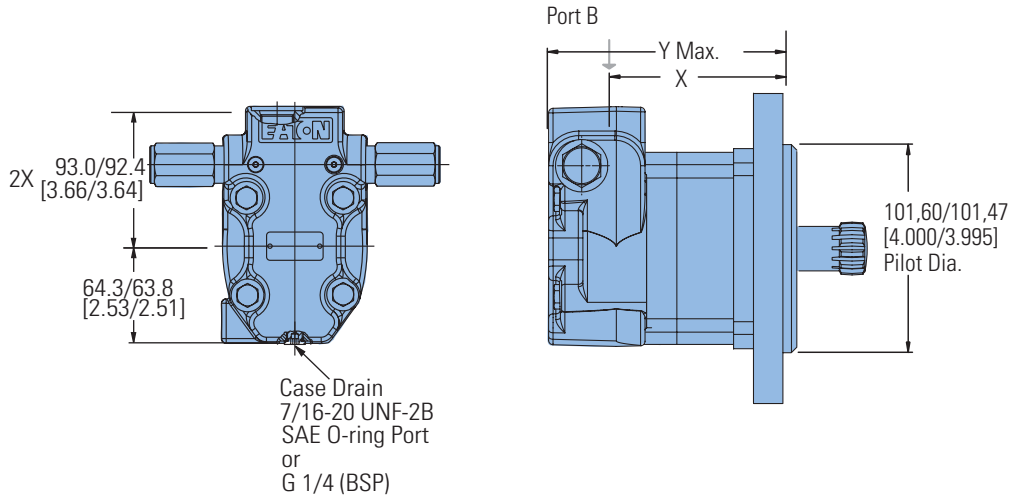
Ports

7/8 -14 UNF-2B SAE O-ring Staggered Ports (2)
 7/16 -20 UNF-2B SAE O-ring Case Drain Port (1)
 G 1/2 (BSP) Staggered Ports (2)
 G 1/4 (BSP) Case Drain Port (1)

Standard Rotation Viewed from Shaft End

Port A Pressurized — CW
 Port B Pressurized — CCW

Bearingless with Integral Relief Valve



BEARINGLESS MOTORS DIMENSIONS

Displacement cm ³ /r [in ³ /r]	X mm [inch]	Y mm [inch]
34 [2.1]	68,6 [2.70]	116,3 [4.58]
41 [2.5]	70,1 [2.76]	117,8 [4.64]
66 [4.0]	75,8 [2.99]	123,5 [4.86]
80 [4.9]	79,0 [3.11]	126,8 [4.99]
100 [6.2]	83,5 [3.29]	131,4 [5.17]
130 [8.0]	89,9 [3.54]	137,7 [5.42]

BEARINGLESS MOTORS DIMENSIONS

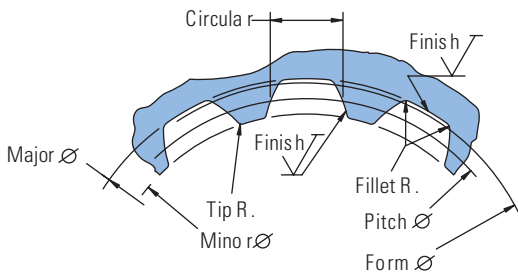
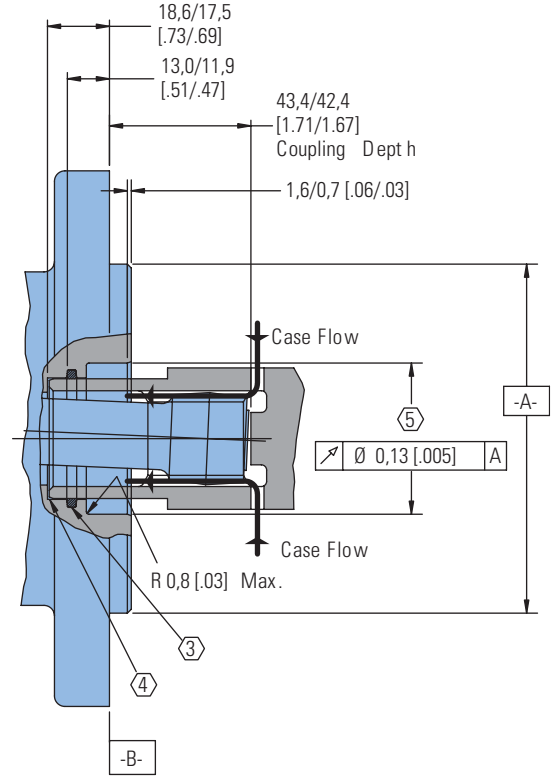
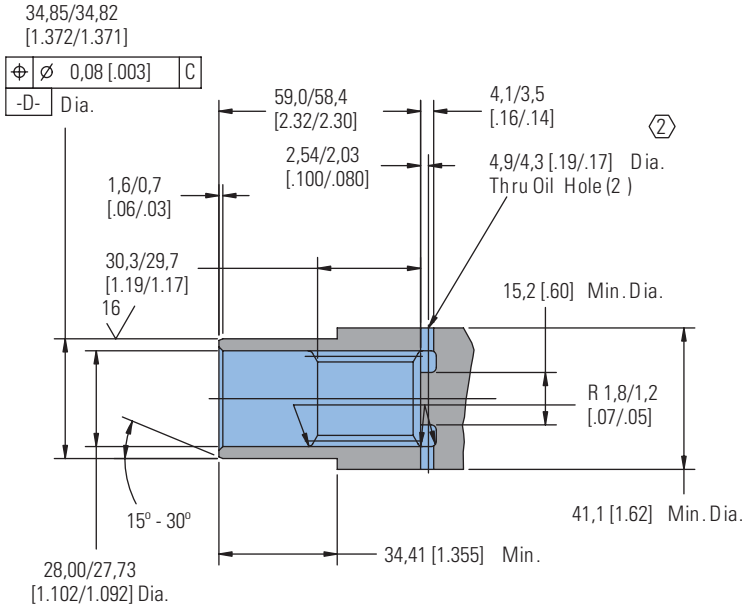
Displacement cm ³ /r [in ³ /r]	X mm [inch]	Y mm [inch]
160 [9.6]	89,9 [3.54]	137,7 [5.42]
195 [11.9]	96,8 [3.81]	144,6 [5.69]
245 [14.9]	105,6 [4.16]	153,5 [6.04]
305 [18.7]	117,1 [4.61]	164,9 [6.49]
395 [24.0]	133,1 [5.24]	180,9 [7.12]
490 [29.8]	150,3 [5.92]	198,2 [7.80]

2000 Series

Installation Information

- 1 Internal spline in mating part to be per spline data. Specification material to be ASTM A304, 8620H vacuum degassed alloy steel carbonize to a hardness of 59-62 HRC with case depth (to 50HRC) of 0,076 -1,02 [.030 -.040]. Dimensions apply after heat treat.
- 2 Mating part to have critical dimensions as shown. Oil holes must be provided and open for proper oil circulation.
- 3 Seal to be furnished with motor for proper oil circulation thru splines.
- 4 Some means of maintaining clearance between shaft and mounting flange must be provided.
- 5 Counterbore designed to adapt a standard sleeve bearing 35,010 -35,040 [1.3784 -1.3795] I.D. by 44,040 -44,070 [1.7339 -1.7350] O.D. (Oilite Bronze Sleeve Bearing AAM3544-22).

Bearingless



Spline Pitch.....	12/24
Pressure Angle.....	30°
Number of teeth.....	12
Class of Fit.....	Ref. 5
Type of Fit.....	Side
Side Pitch Diameter.....	Ref. 25,400000 [1.0000000]
Base Diameter.....	Ref. 21,997045 [.8660254] $\text{C} \text{ } 0,21 \text{ } [0,008] \text{ } \text{ } D$
Major Diameter.....	(27,74 [1.092] Max. 27,59 [1.086] Min.)
Minor Diameter.....	23,097 - 23,224 [.9093 - .9143]
Form Diameter, Min.....	29,93 [1.060]
Fillet Radius.....	0,64 - 0,76 [.025 - .030]
Tip Radius.....	0,25 - 0,38 [.010 - .015]
Finish.....	1,6 (63)
Involute Profile Variation.....	+0,000 -0,025 [+0.0000 -0.0010]
Total Index Variation.....	0,038 [.0015]
Lead Variation.....	0,013 [.0005]
Circular Space Width:	
Maximum Actual.....	4,318 [1.700]
Minimum Effective.....	4,216 [1.660]
Maximum Effective.....	Ref. 4,270 [1.681]
Minimum Actual.....	Ref. 4,247 [1.672]
Dimension Between Two Pins.....	Ref. 19,020 - 19,190 [.7488 - .7555]
Pin Diameter.....	4,496 [1.770] Pins to Have 3,38 [1.133]
	Wide Flat for Root Clearance

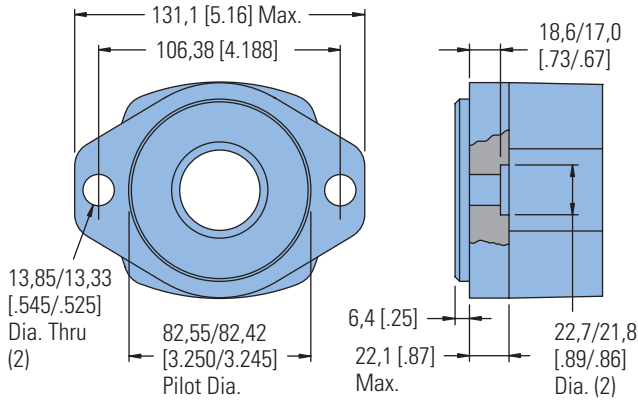
2000 Series

Dimensions

Mounting Options

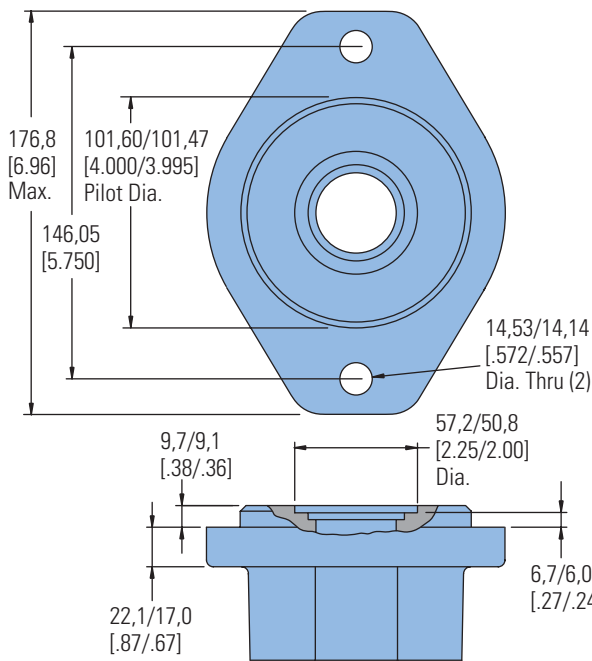
Mounting Code : AC

SAE A – Two Bolt (Standard Motor)



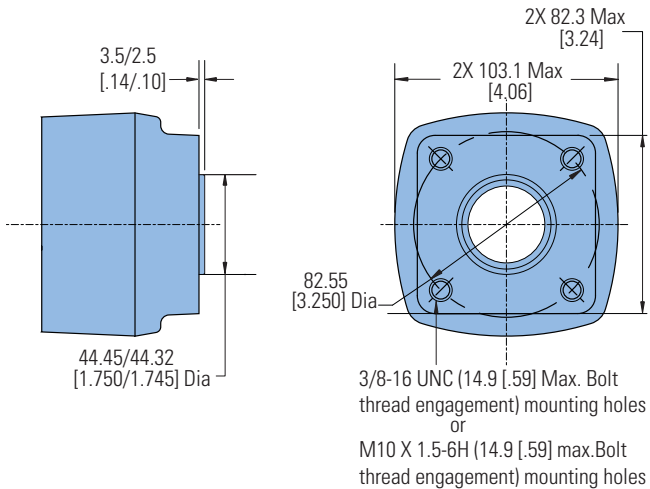
Mounting Code: AF

SAE B – Two Bolt



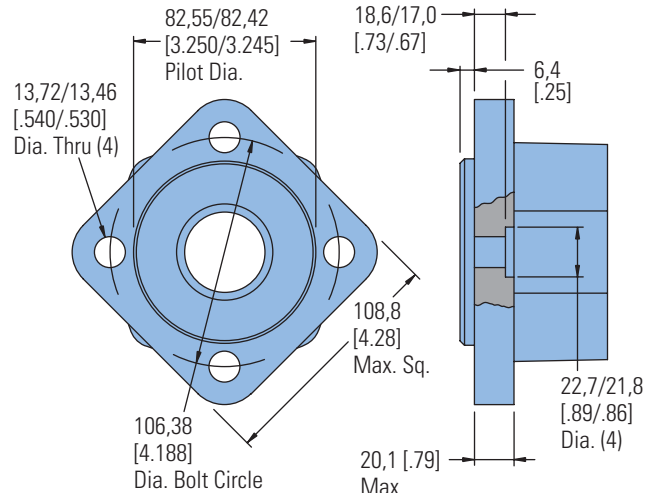
Mounting Code: BY

Four Bolt (Standard Motor)



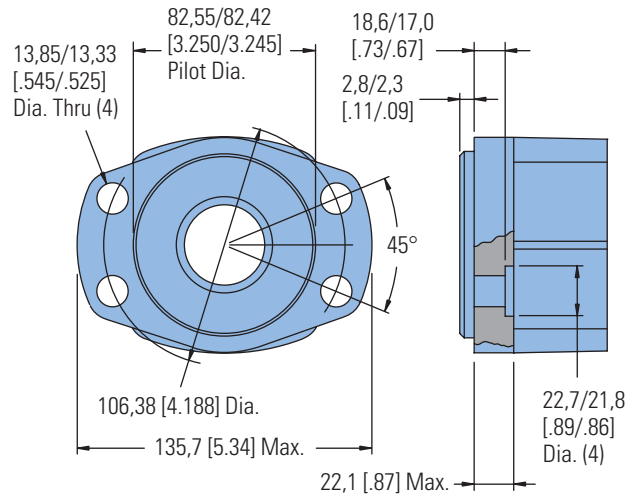
Mounting Code : AH

Four Bolt



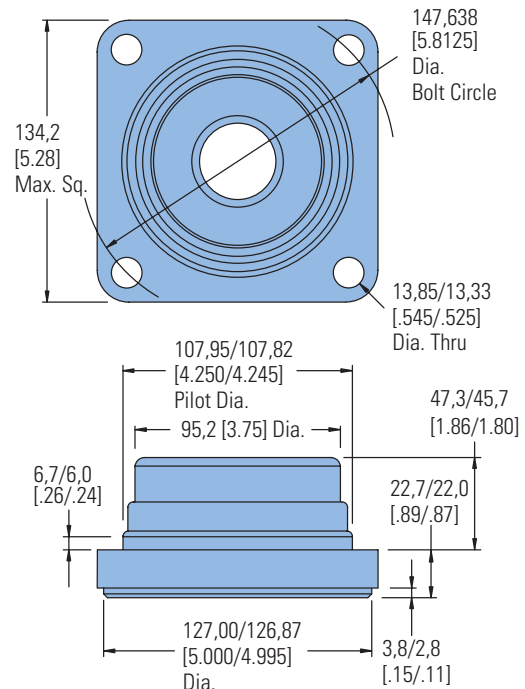
Mounting Code : AJ

Four Bolt Magneto



Mounting Code : AB

Four Bolt (Wheel Motor)

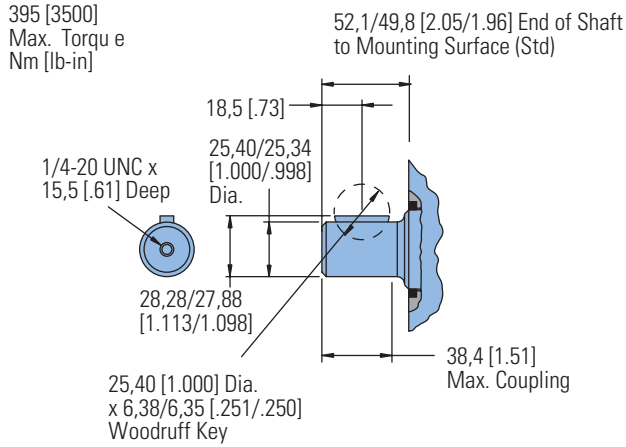


2000 Series

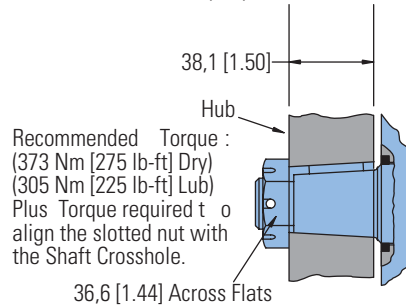
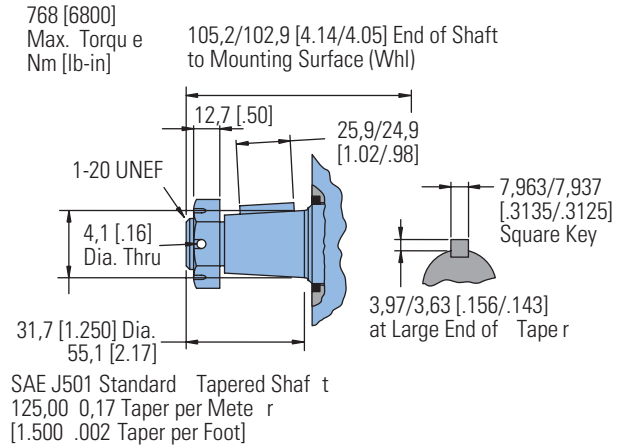
Dimensions

Shafts

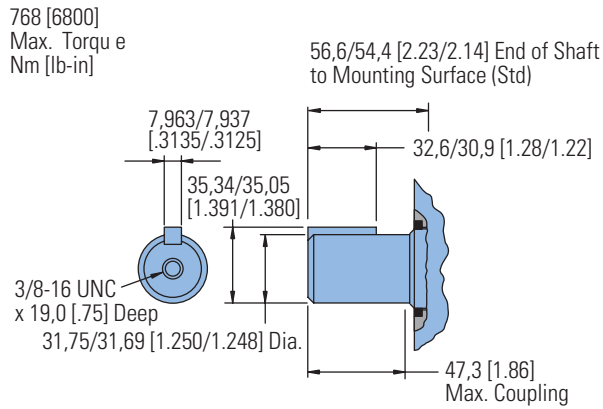
Shaft Code: 01 1 Inch Straight



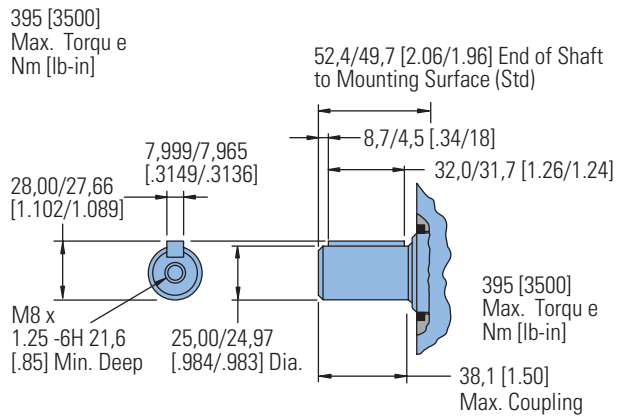
Shaft Code: 03 1 1/4 Inch Tapered



Shaft Code: 02 1 1/4 Inch Straight



Shaft Code: 19 25 mm Straight

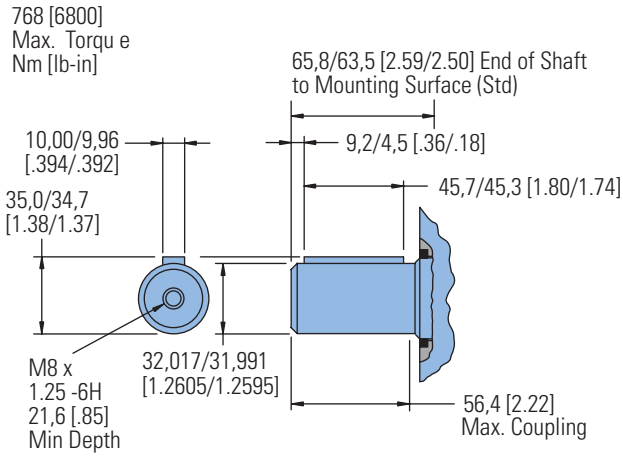


2000 Series

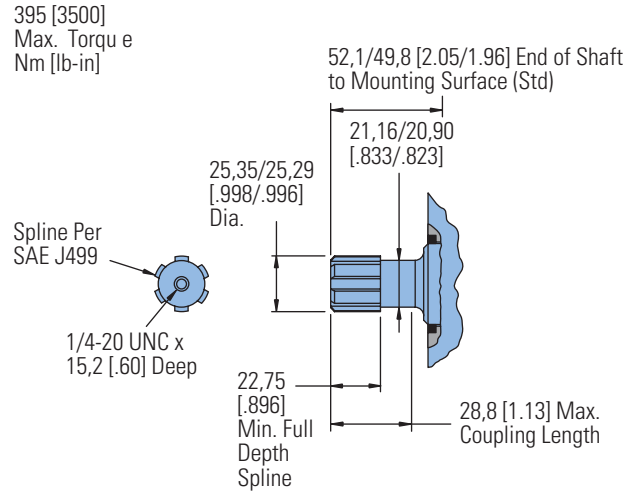
Dimensions

Shafts

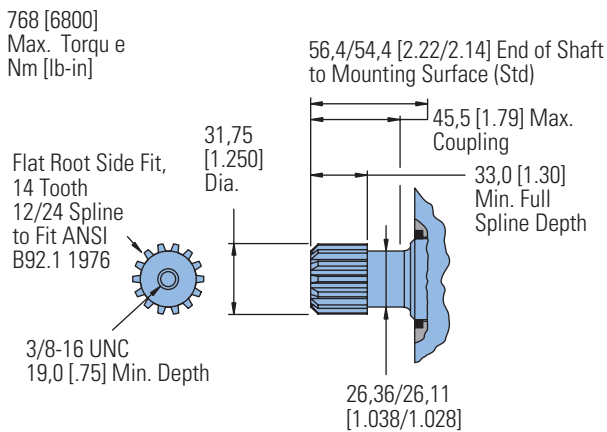
Shaft Code: 16 32 mm Straight



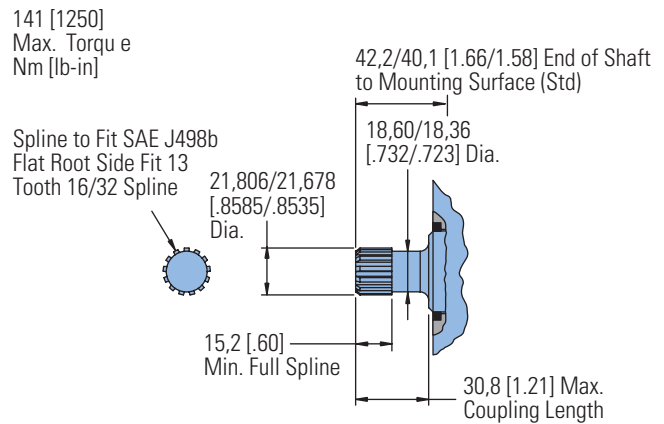
Shaft Code: 05 SAE 6B Splined



Shaft Code: 04 1 1/4 -14 Tooth Splined



Shaft Code: 07 13 Tooth Splined



2000 Series

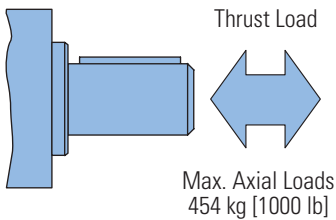
Shaft Side Load Capacity

These curves indicate the radial load capacity on the motor shaft at various locations with an allowable external thrust load of 454 kg [1000 lb].

Note:

Case pressure will increase the allowable inward thrust load and decrease the allowable outward thrust load. Case pressure will push outward on the shaft at 61 kg/7 Bar [135 lb/100 PSI].

Each curve is based on B 10 bearing life (2000



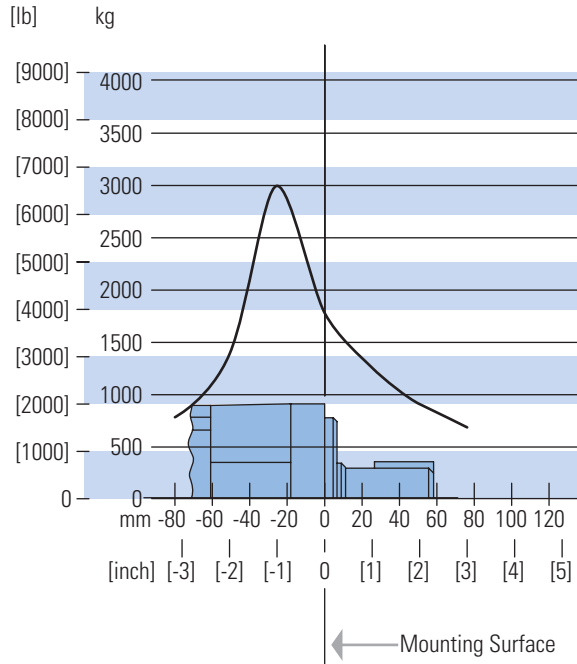
hours of 12,000,000 shaft revolutions at 100 RPM) at rated output torque.

To determine radial load at speeds other than 100 RPM, multiply the load values given on the bearing curve by the factors in the chart below.

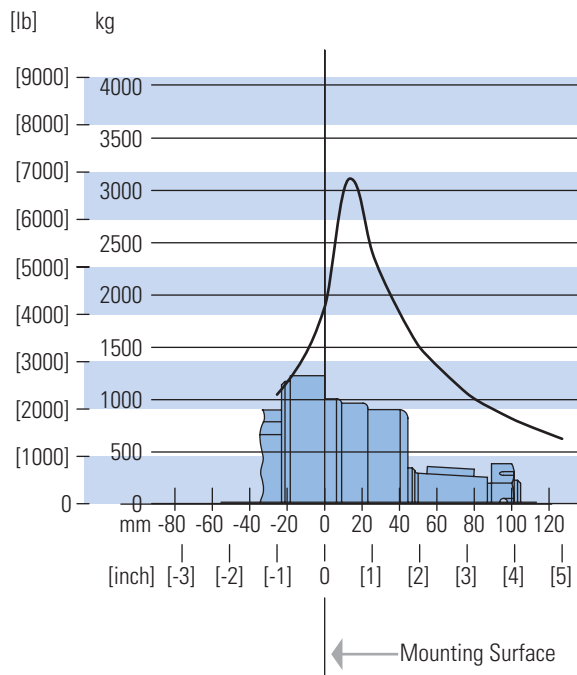
RPM	Multiplication Factor
50	1.23
100	1.00
200	0.81
300	0.72
400	0.66
500	0.62
600	0.58
700	0.56
800	0.54

For 3,000,000 shaft revolutions or 500 hours—Increase these shaft loads 52%.

Standard Motor
Straight and Splined Shafts



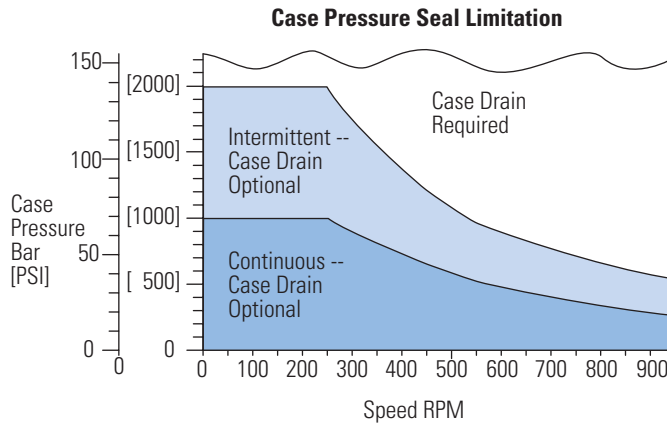
Wheel Motor
Tapered Shaft



2000 Series

Case Pressure and Case Porting

Char-Lynn 2000 Series motors are durable and have long life as long as the recommended case pressure is not exceeded. Allowable case pressure is highest at low shaft speeds. Consequently, motor life will be shortened if case pressure exceeds these ratings (acceptability may vary with application). Determine if an external case drain is required from the case pressure seal limitation chart.



Case Porting Advantage

Contamination Control — flushing the motor case.

Cooler Motor — exiting oil draws motor heat away.

Extend Motor Seal Life — maintain low case pressure with a preset restriction in the case drain line.

2000 Series

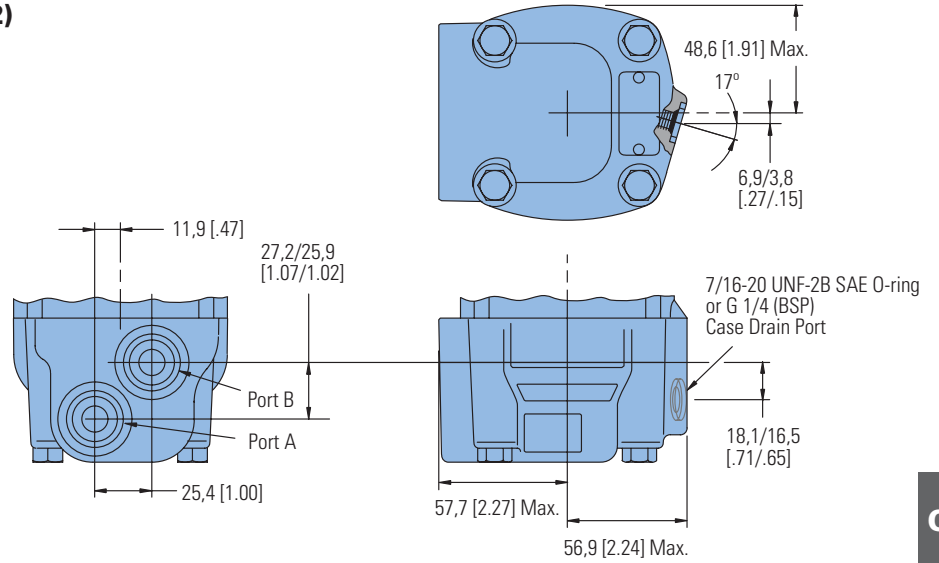
Dimensions

Ports

Port Code: AA

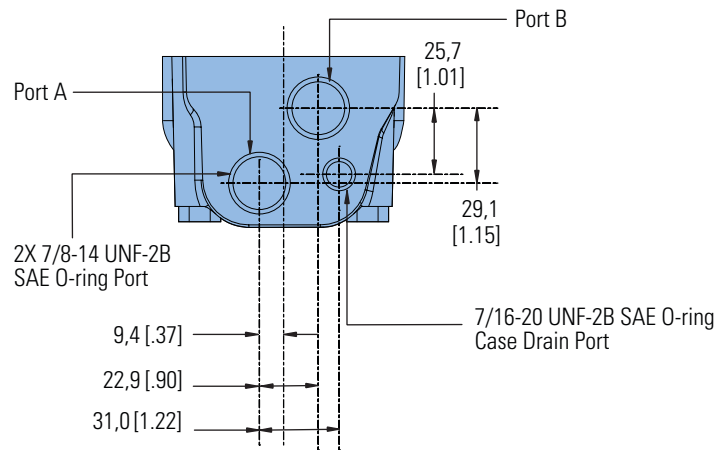
Port Code: AG

**7/8-14 UNF-2B SAE O-ring Ports (2)
or G 1/2 (BSP) Ports (2)**



Case Flow Code: 23

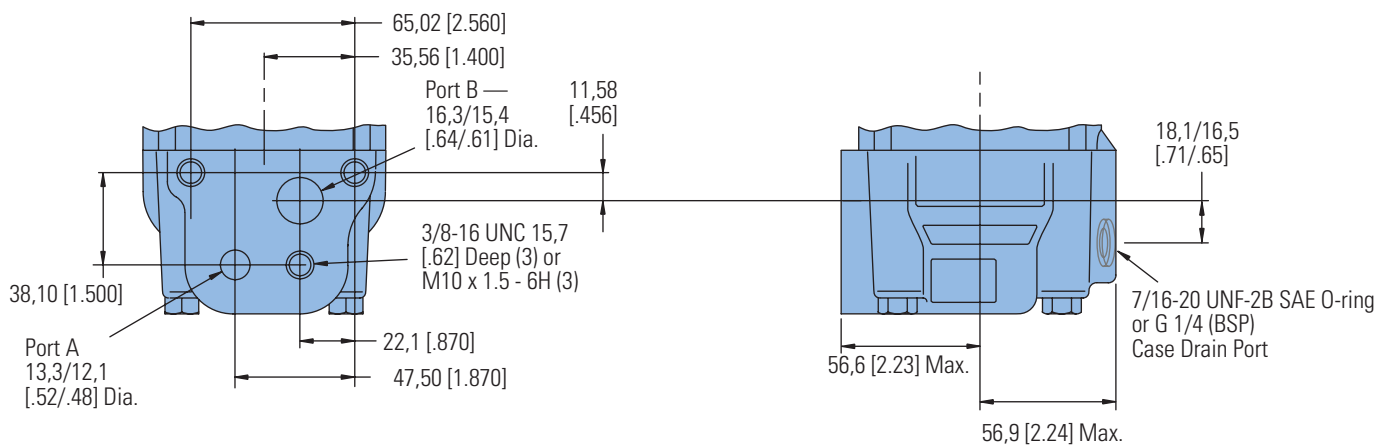
**7/8-14 UNF-2B SAE O-ring Ports (2)
with Top Ported Case Drain**



Port Code: AB

Port Code: AE

Manifold Mount



2000 Series

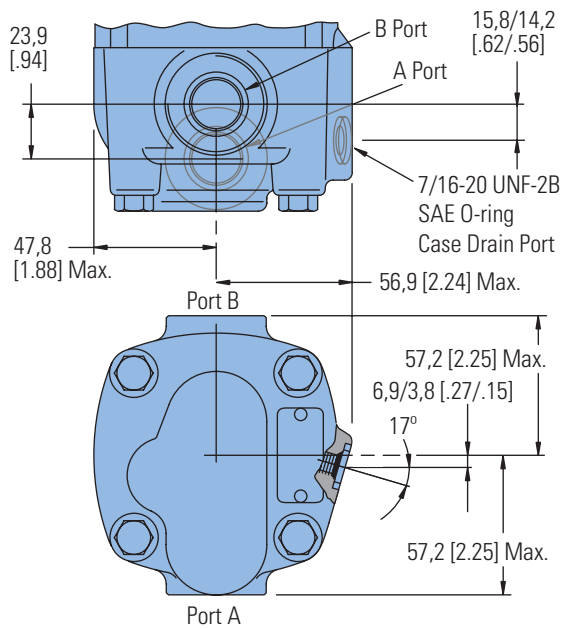
Dimensions

Ports

Port Code: AF

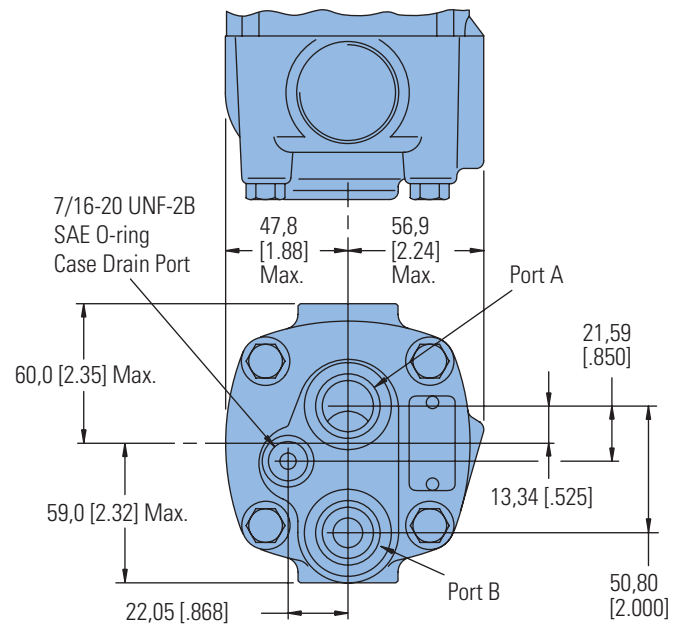
1-1/16-12 UN-2B SAE O-ring Ports (2)

Positioned 180° Apart



Port Code: AD

7/8-14 UNF-2B SAE O-ring End Ports (2)



2000 Series

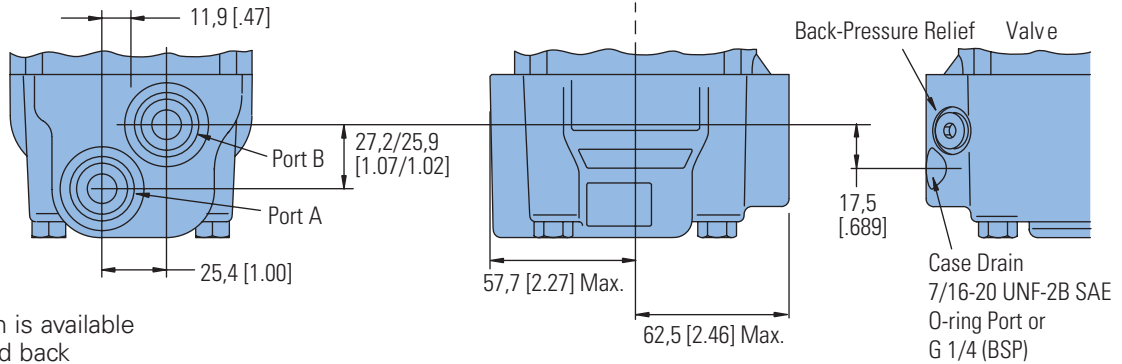
Dimensions

Ports with Shuttle

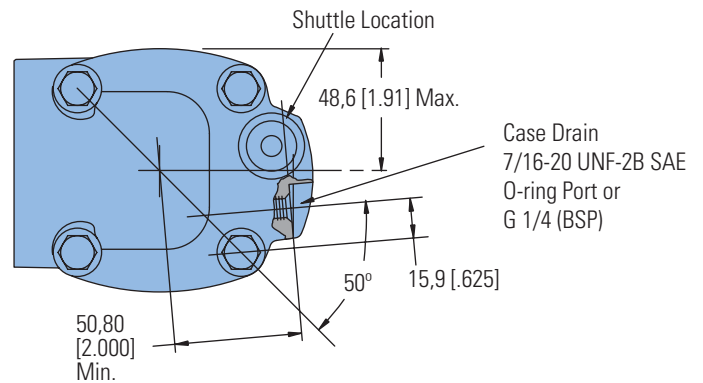
Port Code: AA

Port Code: AG

7/8 -14 UNF-2B SAE O-ring Ports (2) or G 1/2 (BSP) Ports (2)



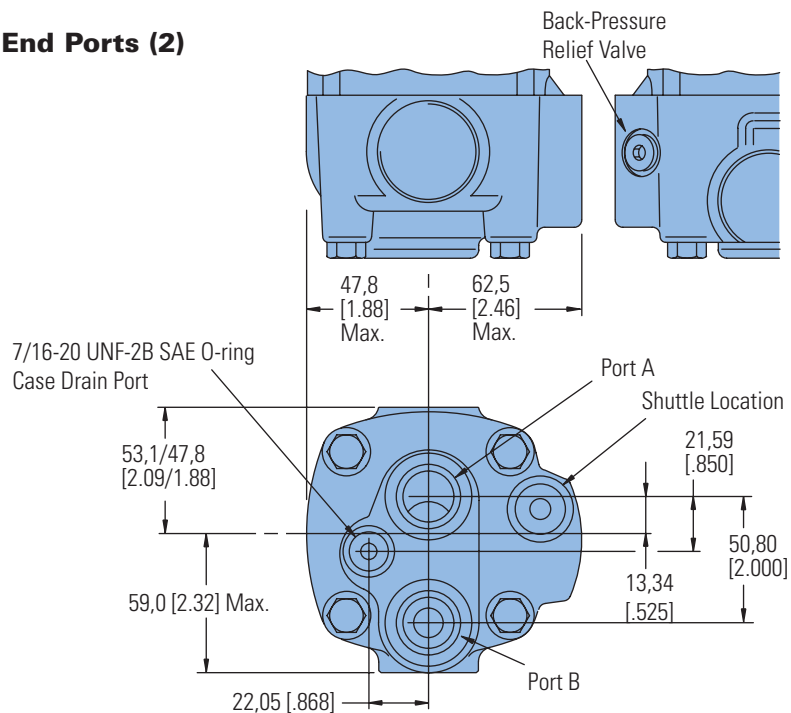
This port option is available with shuttle and back pressure relief valve for closed loop applications.



C-1

Port Code: AD

7/8 -14 UNF-2B SAE O-ring End Ports (2)



This port option is available with shuttle and back pressure relief valve for closed loop applications.

2000 Series

Product Numbers

Note:

For 2000 Series Motors with a configuration **Not Shown** in the charts below: Use model code number system on the next page to specify product in detail.

Use digit prefix — 104-, 105-, or 106- plus four digit number from charts for complete product number— Example 106-1043.

Orders will not be accepted without three digit prefix.

MOUNTING SHAFT	PORT SIZE	DISPL. cm ³ /r [in ³ /r]/ PRODUCT NUMBER	41*	80	90	100	130	160	195	245	305	395	490
			[2.5]	[4.9]	[5.5]	[6.2]	[8.0]	[9.6]	[11.9]	[14.9]	[18.7]	[24.0]	[29.8]
2 Bolt SAE A Flange	1 Inch Straight	7/8 -14 O-ring Staggered	104-4708	-1001	—	-1002	-1003	-1004	-1005	-1006	-1007	-1143	—
		1 1/16 -12 O-ring 180° Apart	104—	-1037	—	-1038	-1039	-1040	-1041	-1042	-1043	-1044	—
	1 1/4 Inch Straight	7/8 -14 O-ring Staggered	104-4774	-1022	—	-1023	-1024	-1025	-1026	-1027	-1028	-1228	-1420
		1 1/16 -12 O-ring 180° Apart	104—	-1061	—	-1062	-1063	-1064	-1065	-1066	-1067	-1068	-1421
	1 1/4 Inch - 14 T Splined	7/8 -14 O-ring Staggered	104-4764	-1029	—	-1030	-1031	-1032	-1033	-1034	-1035	-1229	-1422
		1 1/16 -12 O-ring 180° Apart	104—	-1087	—	-1088	-1089	-1090	-1091	-1092	-1093	-1094	-1423
2 Bolt SAE B Flange	1 1/4 Inch Straight	7/8-14 O-ring Staggered	104—	-1200	—	-1201	-1202	-1203	-1204	-1205	-1206	-1207	—
	1 1/4 Inch Involute SAE C Splined	7/8 -14 O-ring Staggered	104—	-1208	—	-1209	-1210	-1211	-1212	-1213	-1214	-1215	—
	1 Inch SAE 6B Splined	7/8 -14 O-ring Staggered	104—	-1193	—	-1194	-1195	-1196	-1197	-1198	-1199	—	—
	7/8 Inch SAE B Splined	7/8 -14 O-ring Staggered	104—	-1216	—	-1217	-1218	-1219	-1220	—	—	—	—
Standard with 4 Bolt Flange	32 mm Straight	G 1/2 (BSP))	104-4672	-1384	—	-1385	-1386	-1387	-1388	-1389	-1390	-1391	—
	1 1/4 Inch 14 T Splined	G 1/2 (BSP)	104—	-1376	—	-1377	-1378	-1379	-1380	-1381	-1382	-1383	—
Wheel Motor	1 1/4 Inch Straight	7/8 -14 O-ring Staggered	105—	—	—	—	—	—	—	—	—	—	-1148
		1 1/16 -12 O-ring 180° Apart	105—	—	—	—	—	—	—	—	—	—	—
	32 mm Straight	G 1/2 (BSP)	105—	-1134	—	-1135	-1136	-1137	-1138	-1139	-1140	-1141	—
	1 1/4 Inch Tapered	7/8 -14 O-ring Staggered	105—	-1001	—	-1002	-1003	-1004	-1005	-1006	-1007	-1060	-1152
		1 1/16 -12 O-ring 180° Apart	105—	-1071	—	-1072	-1073	-1074	-1075	-1076	-1077	-1078	—
	1 1/4 Inch 14 T Splined	7/8 -14 O-ring Staggered	105—	-1029	—	-1030	-1031	-1032	-1033	-1034	-1035	-1096	—
1 1/16 -12 O-ring 180° Apart		105—	-1079	—	-1080	-1081	-1082	-1083	-1084	-1085	-1086	—	
Bearingless	7/8 -14 O-ring Staggered		106—	-1008	—	-1009	-1010	-1011	-1012	-1013	-1014	-1015	-1047
	G 1/2 (BSP)		106—	-1038	—	-1039	-1040	-1041	-1042	-1043	-1044	-1045	—

*New Release

106-1044

MOUNTING SHAFT	PORT SIZE	DISPL. cm ³ /r [in ³ /r]/ PRODUCT NUMBER	41*	80	90	100	130	160	195	245	305	395	490
			[2.5]	[4.9]	[5.5]	[6.2]	[8.0]	[9.6]	[11.9]	[14.9]	[18.7]	[24.0]	[29.8]
2 Bolt SAE A Flange	1 Inch Straight	7/8 -14 O-ring Staggered	104—	-1528	—	-1529	-1530	-1531	-1532	-1533	-1534	-1519	-1535
	1 1/4 Inch Straight	7/8 -14 O-ring	104—	-1516	—	-1536	-1537	-1538	-1539	-1452	-1479	-1509	-1489

*New Release